

LIL' STRIKE ATTACK™

SOCCER MACHINE



LIL' STRIKE ATTACK™
SOCCER MACHINE
(AC MODEL)



LIL' STRIKE ATTACK™
SOCCER MACHINE
(DC MODEL)

INSTRUCTION MANUAL

OPERATION · SETUP · USE & CARE · SERVICE

PATENTS APPLIED FOR



SPORTS ATTACK LLC. | 800.717.4251 | www.sportsattack.com

WARRANTY STATEMENT

What is most important to Sports Attack is that your machine meets your expectations and represents our high standards of quality and performance. No matter the circumstances, if this is not the case, we encourage you to call our customer service department at 800.717.4251.

Warranty:

Residential & Institutional

We stand behind the material and workmanship of our machines as well as all wear components (i.e., throwing wheels, controllers, and motors) for a period of two (2) years from the date of original purchase based on the serial number and date codes on the unit.

Commercial

We stand behind the material and workmanship of our machines as well as all wear components (i.e., throwing wheels, controllers, and motors) for a period of one (1) year from the date of original purchase based on the serial number and date codes on the unit.

Requirements of the Warranty

- Warranty wear components such as motors, controllers and wheels may now require a picture or live video when submitting your request.
- The serial number that represents the date of original shipment must be legible on the Product, it cannot be removed or altered in any way.
- All date codes on unit components must be legible, not removed or altered in any way.
- If warranty components have previously been provided by Sports Attack for the unit, video evidence of their use on the machine must be provided when submitting your request.

Not Included in this Warranty:

- Normal wear and tear;
- Cosmetic damage (i.e., minor scratches, surface deformations, or discolorations) including natural fading of colors;
- Damage caused by misuse, abuse, accident or negligence including prolonged exposure to inclement weather;
- Damage caused by fire, flood or any other Act of God;
- Unauthorized modification or alteration of a machine including the use of non-authorized, after market components; and
- Any damage or failure arising after the warranty period.

The Warranty Process

If you encounter any issues during the warranty period, Sports Attack will quickly get your machine back in working order. To submit a warranty request, you must call our customer service department at 800.717.4251. If the warranty repair involves a replacement part, we will make sure you get both the part and easy instructions for replacement at no cost to you.

Returns

Sports Attack manufactures the highest quality sports training equipment in the world. If for any reason you are not satisfied, a machine can be returned within 30 days of receipt, for any reason, for a full refund less a 15% restocking fee. Cost of shipping the unit back to Sports Attack will also be the responsibility of the purchaser. Please note that the refund amount may be reduced by any non-cosmetic damage to the machine.

Please call customer service department at 800.717.4251 for returns.

SHIPPING DAMAGE CLAIMS PROCEDURE

NOTE: For your protection, please note that the Lil' Strike Attack in this shipment was carefully inspected and packaged by skilled personnel before leaving the factory.

Upon acceptance of this shipment, the transportation company assumes full responsibility for its safe delivery.

(cont. on next page)

**To register the Warranty,
please go to our website:
sportsattack.com/warranty**

**For repairs and service after the
Warranty period, please call:**

Sports Attack
Customer Service Dept.
Ph 800.717.4251
Fx 775.345.2883

RETURNS

To return an item, please contact our Customer Service Department at 800.717.4251.

A 15% restocking fee will be charged for any items accepted for return. It is the customer's responsibility to handle the repacking and shipment (as well as all associated fees) back to Sports Attack.

No returns will be accepted after 30 days of receiving the Lil' Strike Attack.

IF SHIPMENT ARRIVES DAMAGED:

1. **VISIBLE LOSS OR DAMAGE:** Be certain that any visible loss or damage is noted on the freight bill or express receipt, and that the note of loss or damage is signed by the delivery person.
2. **FILE CLAIM FOR DAMAGE IMMEDIATELY:** Regardless of the extent of the damage.
3. **CONCEALED LOSS OR DAMAGE:** If damage is unnoticed until the merchandise is unpacked, notify the transportation company or carrier immediately, and file "CONCEALED DAMAGE" claim with them. This must be done within fifteen (15) days from the date the delivery was made to you. Be sure to retain the container for inspection.

Sports Attack LLC. cannot assume liability for damage or loss incurred in transit. We will, however, at your request, supply you with the necessary documents to support your claim.

TABLE OF CONTENTS

Warranty Statementxi

Safety Instructions 2

Ball Selection 2

LIL' STRIKE ATTACK SOCCER MACHINE OPERATION

 Component View 3

 Set-up & Preparation 4-5

 Battery Information 6-7

MAINTENANCE & SERVICE

 Care, Cleaning & Maintenance 8

 Component Replacement 9-10

 Exploded View 11

 Parts List 11

INTRODUCTION

Thank you for purchasing this Sports Attack LLC equipment.

Proper assembly, careful operation and consistent maintenance of your Lil' Strike Attack will ensure that it gives you the very best performance and a long, economical service life.

This manual contains the information needed to properly setup the Lil' Strike Attack, and to use, care for and maintain it in a manner which will ensure its optimum performance.



SAFETY INSTRUCTIONS

AC Model - ELECTRICAL SAFETY

Use a 115 volt single phase 3-wire grounded power source.

Up to 200 ft. from power source, use a minimum #14/3 grounded 3-wire extension cord.

Over 200 ft. from power source, consult a licensed electrician for required power cord size.

DC Model - BATTERY SAFETY

Keep away from open flame

Electrical Hazard

Unplug charger before removing cables

OPERATING SAFETY

CAUTION: Never reach down near moving throwing wheels for any reason! If it is necessary to reach into the throwing wheels, **ALWAYS:**

1. Turn speed dials to "0" and turn off the machine.
2. Unplug Strike Attack from power source.
3. Wait until the throwing wheels have come to a complete stop before reaching hands or fingers anywhere near the throwing wheels.

CAUTION: Carefully check Lil' Strike Attack for completeness and condition before connecting to electrical power:

Carefully check the throwing wheels frequently for cleanliness, chips and cracks. Do not use the machine if the throwing wheels are damaged, or if chips or cracks appear in the wheels. (For damage within Warranty period, see Warranty Statement, page xi.)

ALWAYS set the speed control to "0" before connecting the machine to power. Check that the speed control is at "0" before turning the throwing wheels "ON".

Do not allow anyone to walk in front of the Lil' Strike Attack if it is connected to electrical power.

Do not allow anyone to walk in front of the Lil' Strike Attack if it is on.

CAUTION: DO NOT plug in or energize this equipment until all assembly instructions and operation instructions are read and followed.

BALL SELECTION

Balls must be official size (3, 4 or 5) and consistent in type to produce repeatability. Air pressure is important! Under pressurized balls will not throw as far. Air pressure should be checked on a regular schedule for consistent performance.

Refer to ball manufacturer for proper inflation requirements.

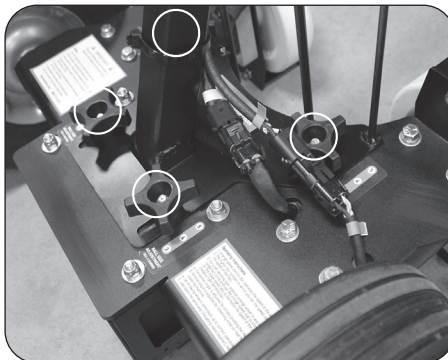
Smaller youth balls will work well for younger players. However, distance and speed will be reduced. Wet balls may not throw accurately.

See Wheel Cleaning Instructions on page 9.

BALL SIZE ADJUSTMENT

You can easily adjust machine for different ball size (3, 4 and 5).

1. Loosen all 4 black arm knobs.
2. Adjust up or down in slot depending on ball size. See pic.



WARNING

Carefully read all instructions in this manual, and all labels and warnings on Lil' Strike Attack Soccer Machine before using.

Use machine only under adult supervision. Failure to operate Lil' Strike Attack as described in this manual can result in severe personal injury or death.

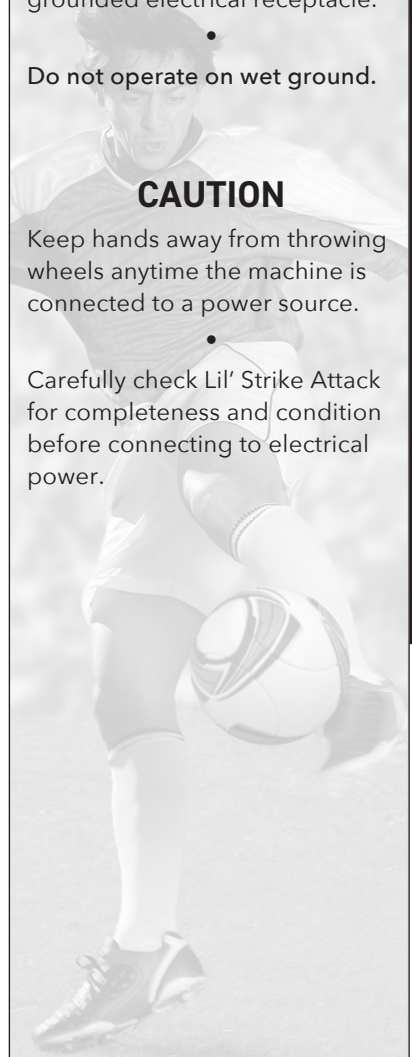
Lil' Strike Attack Soccer Machine must be connected to a properly grounded electrical receptacle.

Do not operate on wet ground.

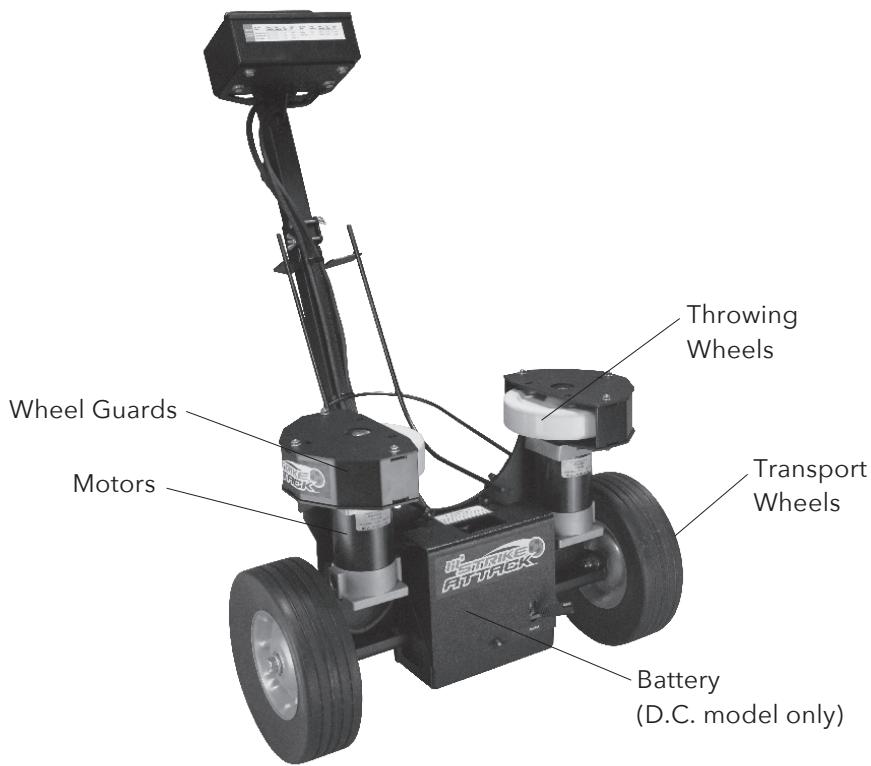
CAUTION

Keep hands away from throwing wheels anytime the machine is connected to a power source.

Carefully check Lil' Strike Attack for completeness and condition before connecting to electrical power.



COMPONENT VIEW FRONT



COMPONENT VIEW BACK



ADDITIONAL INFORMATION

If you have any questions regarding the safe operation of this equipment, please call:

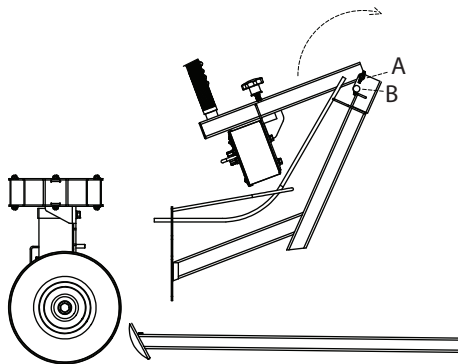
Sports Attack Customer Service:
800.717.4251 or 775.345.2882

To reorder components, a parts list and part numbers can be found on page 11.

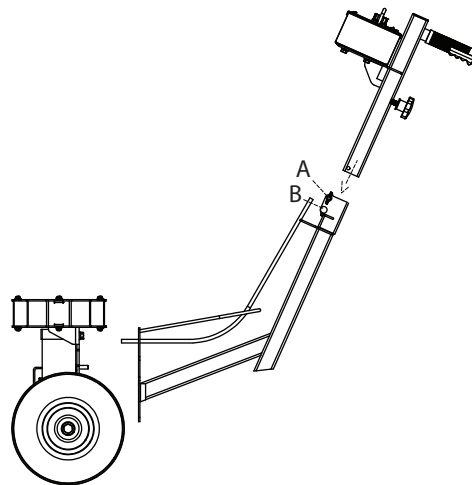
SET-UP & PREPARATION

SETTING UP THE LIL' STRIKE ATTACK (AC and DC models)

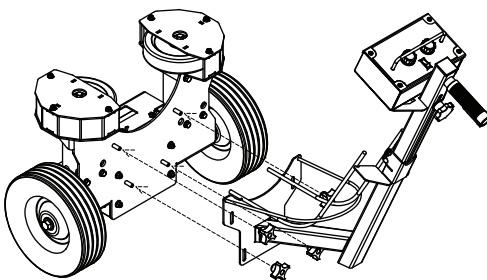
1. Remove outer boxing from pallet.
2. Remove main frame, chute/handle assembly and height adjustment leg from pallet.
3. Remove the bolts and wing nuts (A and B). Rotate the upper part of chute/handle assembly up in order to slide into lower chute/handle assembly. See Step 1.
4. Insert upper chute/handle assembly into lower chute/handle assembly. Re-install bolts and wingnuts (A and B). This will hold the upper chute/handle in place. See Step 2.
5. Install chute/handle assembly onto main frame of Lil' Strike Attack machine. See Step 3.
6. Adjust chute/handle assembly according to ball size. See page 2.
7. Install height adjustment leg and tighten knob. See Step 4.
8. If necessary, adjust the height adjustment leg to allow for comfortable transport of the unit on its travel wheels.



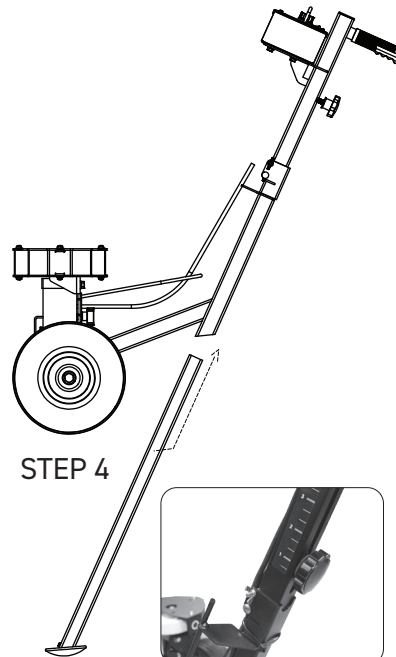
STEP 1



STEP 2



STEP 3



STEP 4

SAFETY HINT

When lowering or lifting the Lil' Strike Attack, keep your back straight and lift using your legs.

WARNING

HAZARD FROM HIGH-SPEED PROJECTILES

Being struck by a thrown ball can cause serious injury or death. Make sure that no one steps in front of the Lil' Strike Attack while it is connected to electric power.

Clear everyone away from machine before connecting Lil' Strike Attack to electric power.

CAUTION

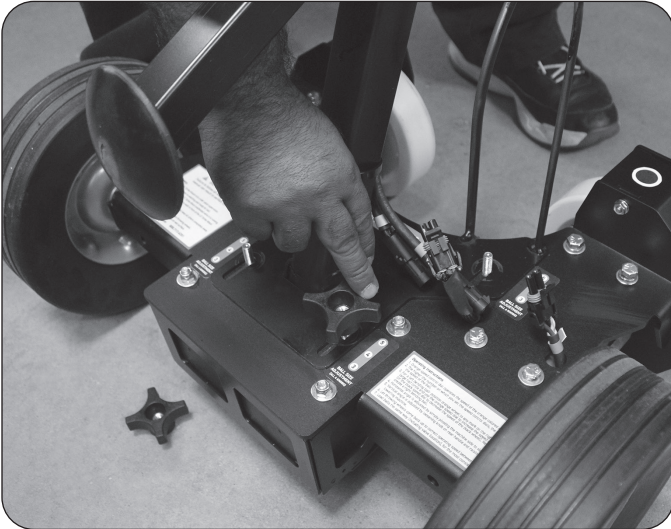
Keep hands away from throwing wheels anytime the machine is connected to a power source.

ADDITIONAL INFORMATION

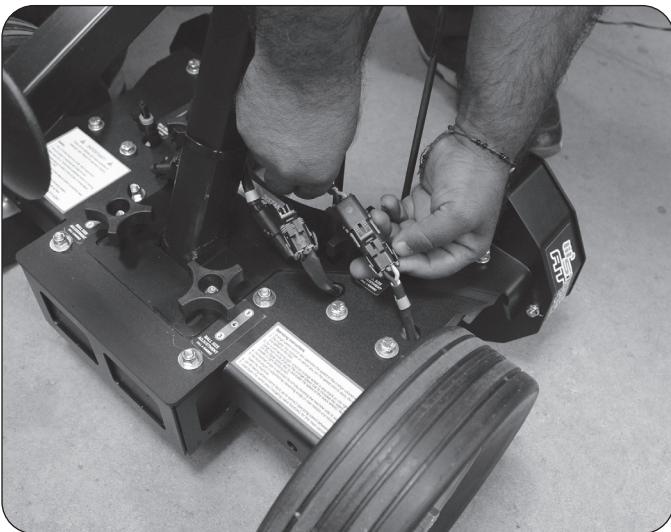
If you have any questions regarding the safe operation of the Footy Attack, please call:

Sports Attack Customer Service Department
Ph 800.717.4251
Fx 775.345.2883

SET-UP & PREPARATION (CONT'D)



Detail A Make sure all 4 black plastic wing nuts are tight once you have determined your ball size.



Detail B Connect the wiring. Connectors are color coded: Orange label to orange label (left motor), black label to black label (right motor) and grey label to grey label (battery).

SET-UP & PREPARATION TURNING MACHINE ON

1. Turn the on/off switch "ON".
2. Adjust the speed control dials to produce the required speed. Larger numbers equal higher speed.
3. Check to make sure no one is in front of Strike Attack or anywhere near the training area. Then, feed a ball down the ball chute to kick the first ball.



GENERATOR INFORMATION

1. Lil' Strike Attack (AC) requires a generator capable of providing clean electricity with a minimum of 1200 watts at 120 volts 60hz.
2. Be sure the power switch is "OFF" before plugging the machine into the generator.
3. Start the generator and allow it to reach full speed before turning the power switch "ON".

IMPORTANT: Generator speed fluctuations can damage the electronic speed control. Maintain adequate fuel in the generator at all times.

4. Turn the Lil' Strike Attack (AC) power switch "OFF" before shutting off the generator and before unplugging the Lil' Strike Attack (AC).

BATTERY INFORMATION (DC Model)

CHARGING

The Lil' Strike Attack DC model comes with a non-spilling Lithium Iron Phosphate 24AH, 12VDC battery.

Upon receiving your Lil' Strike Attack and battery, you should charge the battery using the charger that comes with your unit. The charger has a 20AMP charge rate. Do not charge the battery when wet.

When replacing battery, you must use the same battery as originally equipped. When uninstalling the battery, you must first disconnect the negative cable, then the positive. When installing battery, you must first connect the positive, then the negative.

The battery has a light indicator showing percentage of charge:

Simply push solid white circle to view read out.

The charger on the Lil' Strike Attack does not damage fully charged batteries left connected to it. You may also charge the battery using any manufactured automotive battery charger.

IMPORTANT: Terminals must be protected from short circuit. Any object that is placed touching either battery terminal could cause a short circuit.

Battery Life Indicator LED's on the Machine: Simply press the white circle on battery and the LED will light up showing percentage of battery charge.

- 20 AMPS, charge time of 2:45 minutes.
- Fully charged run time is approx. 4 hrs.

SAFETY: Each battery is equipped with a 25 AMP inline ATC fuse



ADDITIONAL INFORMATION

If you have any questions regarding the safe operation of this equipment, please call:

Sports Attack Customer Service:
800.717.4251 or 775.345.2882

To reorder components, a parts list and part numbers can be found on page 11.



REPLACING A BATTERY

Battery may be removed while rear handle assembly is attached or detached from throwing head. Please see corresponding photo below.

1. Unplug charger from power source.
2. Turn both speed control knobs to "0." Make sure throwing wheels are stopped.
3. Unplug battery connector from throwing head.
4. Loosen and remove two wing nuts on battery terminal connectors. Remove the two wires on each terminal (1 wire from charger and 1 wire from battery harness). See (A1) and (A2)
5. Loosen and remove battery hold down. See (B)
6. Remove battery from left side, making sure the rubber pad under battery stays in place.

Reassemble in reverse order.

IMPORTANT: Replace battery with exact model and part number. Equivalent batteries may not fit into the padded battery box or may not have the same capacity.



Top view of battery attached to machine.

ADDITIONAL INFORMATION

If you have any questions regarding the safe operation of this equipment, please call:

Sports Attack Customer Service:
800.717.4251 or 775.345.2882

BATTERY CHARGING

ALWAYS wear safety glasses when working with batteries.

- Not fully charging a battery can result in poor performance and a reduction in capacity.

- Recharge times vary depending on factors such as temperature, charger characteristics, percentage of battery discharge, etc.

WARNING

If battery becomes hot while charging, disconnect it from the charger immediately, then call Sports Attack.

Sports Attack Customer Service:
800.717.4251 or 775.345.2882

CARE, CLEANING & MAINTENANCE

LUBRICATION (once per season, or as required):

1. Spin/Angle Control Knob - Apply fresh grease to threads as needed.
2. Rear Leg Assembly Elevation Knob - Apply fresh grease to threads as needed.
3. Throwing Wheel Motors - Motors are sealed and require no lubrication.

THROWING WHEEL MOTORS

Motors bearings are sealed and require no lubrication.

Check bolts for tightness once a season. Tighten bolts securely, but do not over-tighten. See Figure 1 on page 9.

CLEANING THE THROWING WHEELS

Supplies Needed for Wheel Cleaning Include:

- Putty knife, 1 inch wide
- Methyl Ethyl Ketone (M.E.K.), small can*
- Hair dryer or heat gun

Supplies can be purchased at a local paint or hardware store.

**Please follow the manufacturer's safety instructions when using any chemicals.*

Directions for Cleaning:

Estimated time is 10+ minutes per wheel depending on the amount of build-up.

Step One: Before attempting any kind of service on your machine, always disconnect unit from power source.

Step Two: Heat up the ball material build-up on one wheel with a hair dryer or heat gun on high setting until build-up softens.

Step Three: With a putty knife, simply loosen and peel off the build-up material.

Step Four: Wet a rag or paper towel with M.E.K. and wipe the wheel to take off any remaining build-up. Do not turn machine "On" and have the throwing wheels turning during this time.

For wheels with excessive build-up, you may need to repeat this process.

EXAMINE THE MACHINE

Examine Lil' Strike Attack for condition and completeness before every use:

1. Throwing wheels must be tight on the motor shafts. Check that the four bolts holding each motor to the throwing head assembly are tight.
2. Wheel guard and ball chute must be securely fastened.

CAUTION

PERSONAL INJURY HAZARD

Never attempt to clean the Throwing Wheels while they are turning. Rags or implements caught in spinning wheels can cause serious injury.

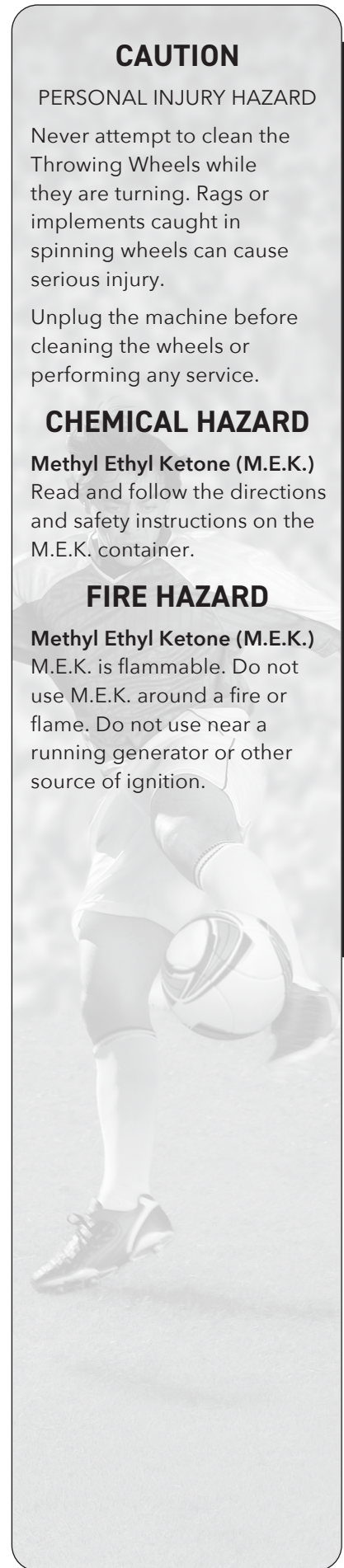
Unplug the machine before cleaning the wheels or performing any service.

CHEMICAL HAZARD

Methyl Ethyl Ketone (M.E.K.)
Read and follow the directions and safety instructions on the M.E.K. container.

FIRE HAZARD

Methyl Ethyl Ketone (M.E.K.)
M.E.K. is flammable. Do not use M.E.K. around a fire or flame. Do not use near a running generator or other source of ignition.



COMPONENT REPLACEMENT THROWING WHEEL REPLACEMENT

1. Turn both throwing wheel control knobs to "0." If an AC unit, unplug the power cord. Remove the 4 bolts on the outside wheel guard.
2. Hold the wheel so that it cannot move. Turn the keyway retaining bolt counter-clockwise using a half inch box-end wrench (See Figure 1).
Suggestion: If the bolt is too tight, give the opposite end of the wrench a series of light taps with a hammer making sure the wrench remains on the bolt.
3. Remove the bolt and washer.
4. Work the wheel off of the motor shaft. Be sure to catch the key as it is freed from the keyway.
5. Ball throwing wheels are machine balanced. Small holes in the side of the wheel are applied at the factory and are normal.

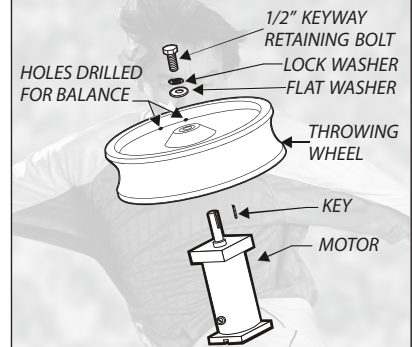
Reassemble in reverse order.

- a. Install wheel to motor shaft with key slots aligned.
- b. Be sure the key is in place, and inserted so that it is flush with the hub surface at the wheel center.
- c. Be sure the washer and lock washer are installed in the right order, and that the keyway retaining bolt is tightened.
- d. Test the wheel by spinning it by hand and making sure that it spins freely without wobble before turning the unit on.
- e. Be sure the top wheel guard is properly and securely reinstalled.

NOTE: Check bolts for tightness once a season. Tighten bolts securely, but do not over-tighten.



Figure 1 Hold the wheel while loosening bolts with a half inch box-end wrench.



COMPONENT REPLACEMENT (CONT'D)

MOTOR REPLACEMENT

1. Turn the speed control knobs to "0." If an AC unit, unplug the power cord.
2. Remove outside wheel guard.
3. Remove the throwing wheel (See page 11).
4. Remove inside wheel guard.
5. Unbolt 4 bolts (See Figure 2) and slide motor out.

Reassemble with new motor in reverse order.

NOTE: Check bolts for tightness once a season. Tighten bolts securely, but do not over-tighten.

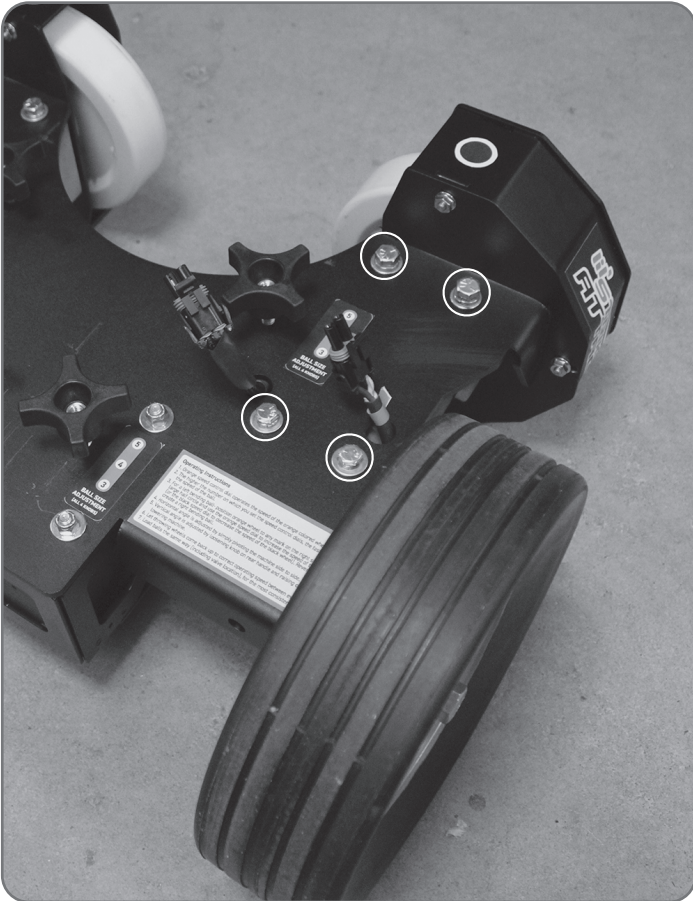


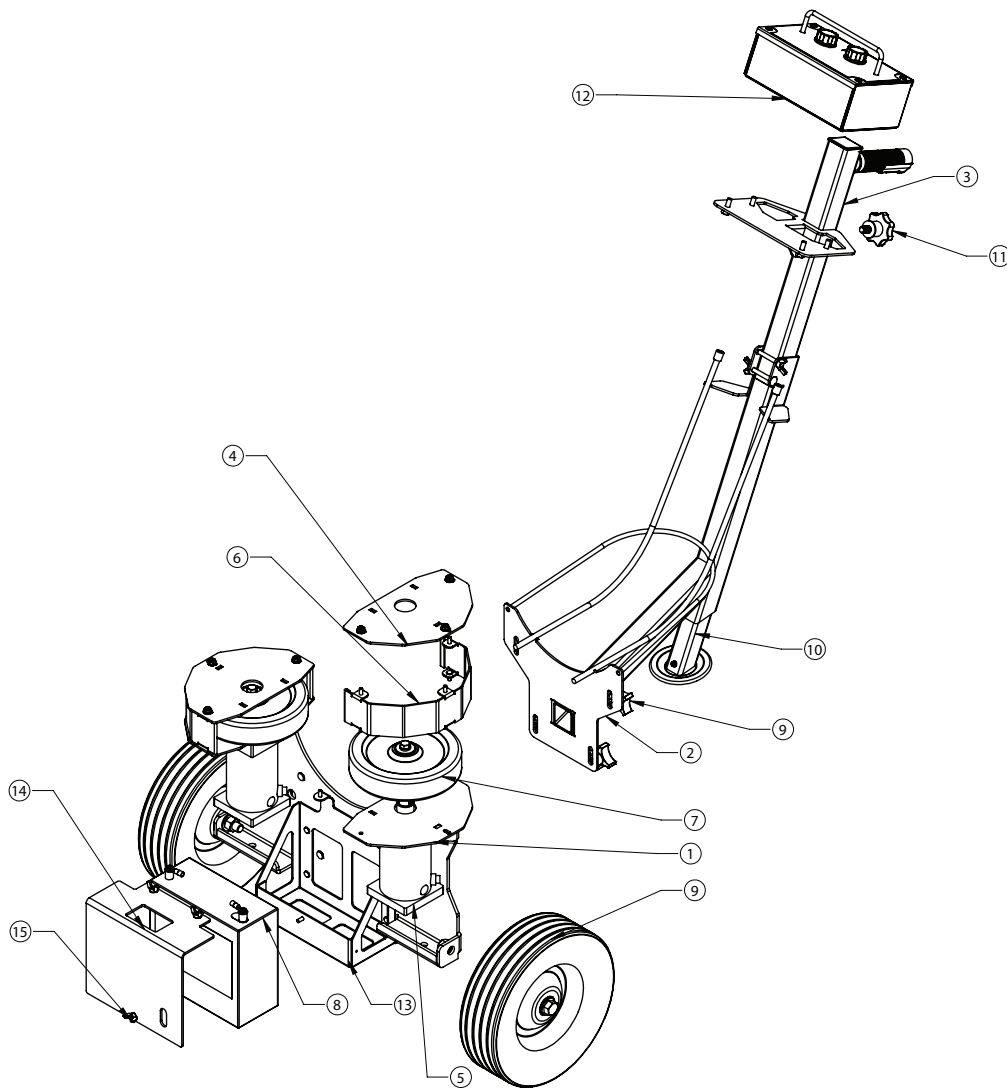
Figure 2 Showing the four bolts to unbolt for removing the motor.

MOTOR REPLACEMENT TOOLS

1/2" wrench

7/16" wrench

EXPLODED VIEW



PARTS LIST

- 1 Main Chassis Weldment**
Part # 6112-6059-1
- 2 Lower Handle Weldment**
Part # 6112-6056-1
- 3 Upper Handle Weldment**
Part # 6112-6057-1
- 4 Top Wheel Guard**
Part # 6112-6058-1
- 5 Motor, 12VDC**
Part # 6112-6078-1
- 6 Wheel Guard Assembly**
Part # 6112-6079-1
- 7 Throwing Wheel**
Part # 3343-5080-1
- 8 Battery, 12VDC 24AH**
Part # 6053-1289-1
- 9 Travel Wheel**
Part # 1023-2373-1
- 10 Leg, Height Adjustment**
Part # 6013-5089-1
- 11 Leg, Height Knob**
Part # 4013-2365-1
- 12 Control Box Assembly**
Part # 6052-5097-1
- 13 Battery Tray Assembly**
Part # 6012-1268-1
- 14 Battery Cover**
Part # 6023-1268-1
- 15 Plastic Wingnut**
Part # 9123-5565-1

Exploded View



SPORTS ATTACK LLC. | 800.717.4251 | www.sportsattack.com