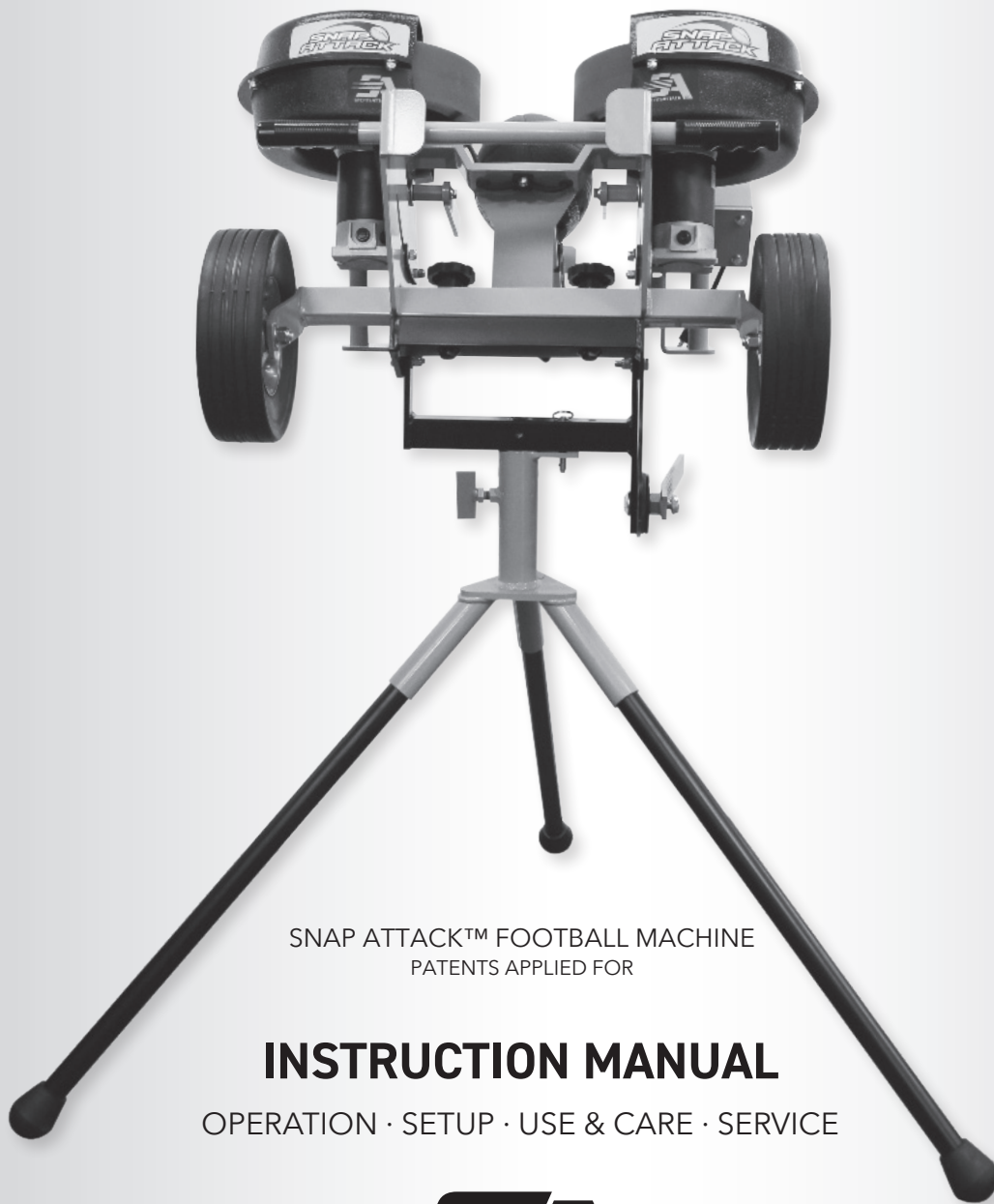


SNAP ATTACK™

FOOTBALL MACHINE



SNAP ATTACK™ FOOTBALL MACHINE
PATENTS APPLIED FOR

INSTRUCTION MANUAL

OPERATION · SETUP · USE & CARE · SERVICE



SPORTS ATTACK LLC. | 800.717.4251 | www.sportsattack.com

REV03182024

FOOTBALL

WARRANTY STATEMENT

What is most important to Sports Attack is that your machine meets your expectations and represents our high standards of quality and performance. No matter the circumstances, if this is not the case, we encourage you to call our customer service department at 800.717.4251.

Warranty:

Residential & Institutional

We stand behind the material and workmanship of our machines as well as all wear components (i.e., throwing wheels, controllers, and motors) for a period of two (2) years from the date of original purchase based on the serial number and date codes on the unit.

Commercial

We stand behind the material and workmanship of our machines as well as all wear components (i.e., throwing wheels, controllers, and motors) for a period of one (1) year from the date of original purchase based on the serial number and date codes on the unit.

Requirements of the Warranty

- Warranty wear components such as motors, controllers and wheels may now require a picture or live video when submitting your request.
- The serial number that represents the date of original shipment must be legible on the Product, it cannot be removed or altered in any way.
- All date codes on unit components must be legible, not removed or altered in any way.
- If warranty components have previously been provided by Sports Attack for the unit, video evidence of their use on the machine must be provided when submitting your request.

Not Included in this Warranty:

- Normal wear and tear;
- Cosmetic damage (i.e., minor scratches, surface deformations, or discolorations) including natural fading of colors;
- Damage caused by misuse, abuse, accident or negligence including prolonged exposure to inclement weather;
- Damage caused by fire, flood or any other Act of God;
- Unauthorized modification or alteration of a machine including the use of non-authorized, after market components; and
- Any damage or failure arising after the warranty period.

The Warranty Process

If you encounter any issues during the warranty period, Sports Attack will quickly get your machine back in working order. To submit a warranty request, you must call our customer service department at 800.717.4251. If the warranty repair involves a replacement part, we will make sure you get both the part and easy instructions for replacement at no cost to you.

Returns

Sports Attack manufactures the highest quality sports training equipment in the world. If for any reason you are not satisfied, a machine can be returned within 30 days of receipt, for any reason, for a full refund less a 15% restocking fee. Cost of shipping the unit back to Sports Attack will also be the responsibility of the purchaser. Please note that the refund amount may be reduced by any non-cosmetic damage to the machine.

Please call customer service department at 800.717.4251 for returns.

SHIPPING DAMAGE CLAIMS PROCEDURE

NOTE: For your protection, please note that equipment in this shipment was carefully inspected and packaged by skilled personnel before leaving the factory.

Upon acceptance of this shipment, the transportation company assumes full responsibility for its safe delivery.

IF SHIPMENT ARRIVES DAMAGED

1. **VISIBLE LOSS OR DAMAGE:** Be certain that any visible loss or damage is noted on the freight bill or express receipt, and that the note of loss or damage is signed by the delivery person.

(cont. on page 1)

To register the Warranty,
please go to our website:
www.sportsattack.com/warranty

For repairs and service after the
Warranty period, please call:

Customer Service Dept.
Ph **800.717.4251**
Fx 775.345.2883

RETURNS

To return an item, please
contact our Customer Service
Department at 800.717.4251.

A 15% restocking fee will be
charged for any items accepted
for return. It is the customer's
responsibility to handle the
repacking and shipment (as
well as all associated fees) back
to Sports Attack.

No returns will be accepted
after 30 days of receiving
this product.

2. **FILE CLAIM FOR DAMAGE IMMEDIATELY:** Regardless of the extent of the damage.
3. **CONCEALED LOSS OR DAMAGE:** If damage is unnoticed until the merchandise is unpacked, notify the transportation company or carrier immediately, and file "CONCEALED DAMAGE" claim with them. This must be done within fifteen (15) days from the date the delivery was made to you. Be sure to retain the container for inspection.

Sports Attack, LLC. cannot assume liability for damage or loss incurred in transit. We will, however, at your request, supply you with the necessary documents to support your claim.

INTRODUCTION

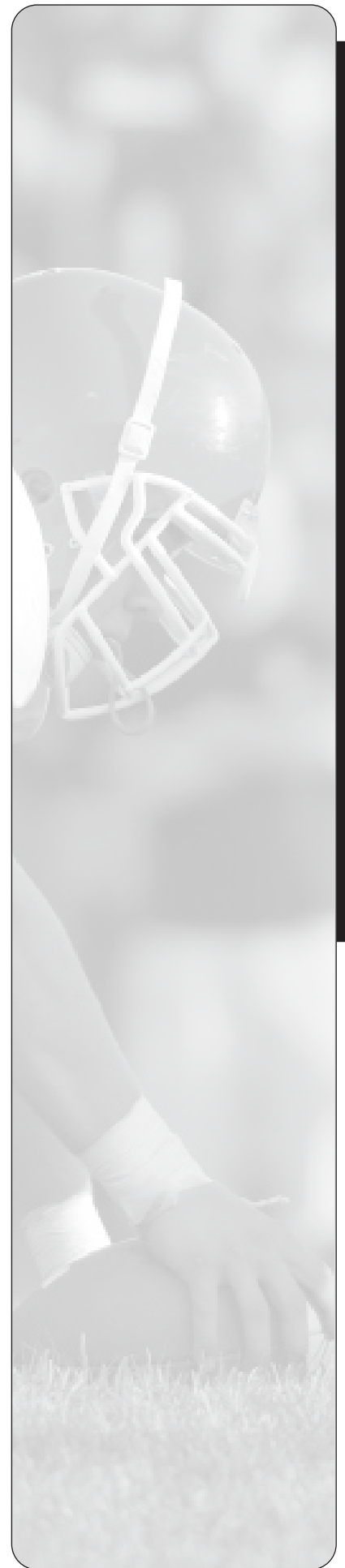
Thank you for purchasing this Sports Attack, LLC. equipment.
Your Snap Attack™ will be shipped in the right-hand spiral position.

Proper assembly, careful operation and consistent maintenance of this equipment will ensure that it gives you the very best performance and a long, economical service life.

This manual contains the information needed to properly set up the Snap Attack Football Machine, and to use, care for and maintain the Snap Attack in a manner which will ensure its optimum performance.

TABLE OF CONTENTS

Warranty Statement	1
Safety Instructions	2
SNAP ATTACK™ FOOTBALL MACHINE OPERATION	
Component View	3
Set-up & Preparation	4
Shutting Down, Transporting, installing Snapping Leg	6-7
Passing, Punting, Kickoff	5
MAINTENANCE & SERVICE	
Care, Cleaning & Maintenance	7
Component Replacement	8-9
Exploded View	10
Parts List	11
Attaching Cart Clamp	12



SAFETY INSTRUCTIONS

ELECTRICAL SAFETY

Use a 115 volt single phase 3-wire grounded power source. Up to 200 ft. from power source, use a minimum #14/3 grounded 3-wire extension cord. Over 200 ft. from power source, consult a licensed electrician for required power cord size.

OPERATING SAFETY

CAUTION: Never reach down near moving throwing wheels for any reason! If it is necessary to reach into the throwing wheels, ALWAYS:

1. Turn speed dial to "0".
2. Turn the power switch "OFF".
3. Unplug Snap Attack™ from power source.
4. Wait until the throwing wheels have come to a complete stop before reaching hands or fingers anywhere near the throwing wheels.

CAUTION: Carefully check Snap Attack for completeness and condition before connecting to electrical power:

Carefully check the throwing wheels frequently for cleanliness, chips and cracks. Do not use the machine if the throwing wheels are damaged, or if chips or cracks appear in the wheels. (For damage within warranty period, see Warranty Statement, page 1.)

ALWAYS set the speed control to "0" before connecting the machine to power. Check that the speed control is at "0" before turning the throwing wheels "ON".

Do not allow anyone to walk in front of the Snap Attack Football Machine if it is connected to electrical power.

CAUTION: DO NOT plug in or energize this equipment until all assembly instructions and operation instructions are read and followed.

BALL SELECTION

Balls must be official size and consistent in type to produce repeatability. Never use wet or damp balls! Ball air pressure must be between 10-12 lbs. Refer to ball manufacturer for proper inflation requirements.



Air Pressure & Distance

Distance	Air Pressure
70-90 yds.	9-11 lbs.
55-70 yds.	7-8 lbs.
40-55 yds.	5-6 lbs.

Slippage occurs at higher wheel speeds with lower air pressure. We recommend higher air pressure to prevent slippage.

WARNING

PERSONAL INJURY HAZARD

Carefully read all instructions in this manual, and all labels and warnings on Snap Attack before using this machine.

Use machine only under adult supervision. Failure to operate Snap Attack as described in this manual can result in severe personal injury or death.

ELECTRICAL SHOCK HAZARD

The Snap Attack must be connected to a properly grounded electrical receptacle.

Do not operate on wet ground.

CAUTION PERSONAL INJURY HAZARD

Keep hands away from throwing wheels anytime the machine is connected to a power source.

Carefully check the Snap Attack for completeness and condition before connecting to electrical power.

EQUIPMENT ELECTRICAL DAMAGE

Keep hands away from throwing wheels anytime the machine is connected to a power source.

Carefully check the Snap Attack for completeness and condition before connecting to electrical power.

BALL REQUIREMENT

Do NOT use synthetic leather footballs. We recommend full grain leather.

COMPONENT VIEW

FIGURE 1
Throwing Head

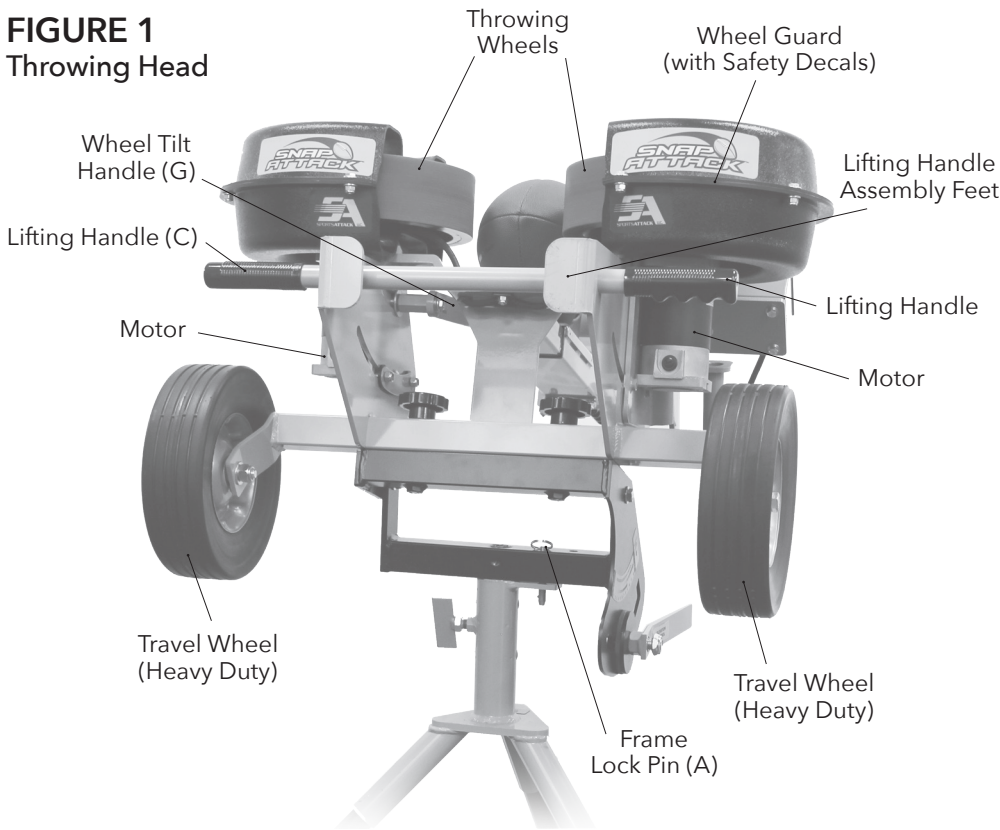
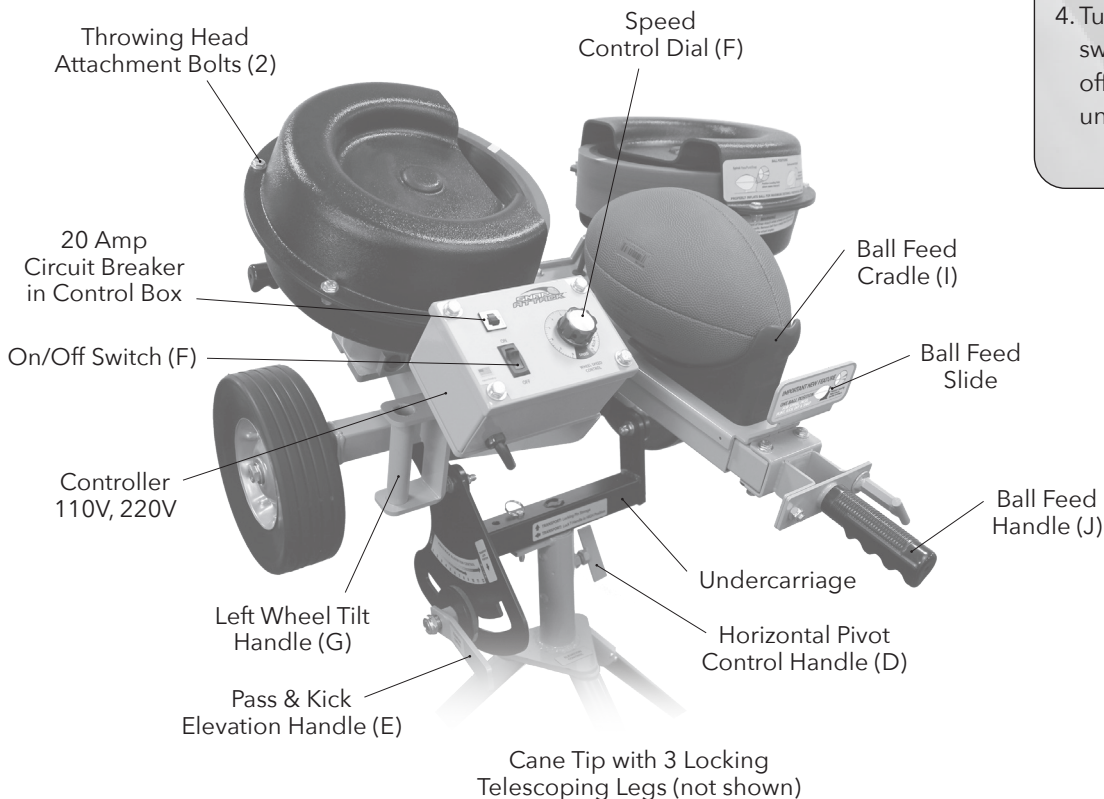


FIGURE 2
Throwing Head & Undercarriage View



ADDITIONAL INFORMATION

If you have any questions regarding the safe operation of the Snap Attack, please call:

Sports Attack Customer Service Department
 Ph 800.717.4251
 Fx 775.345.2883

GENERATOR INFORMATION

1. Snap Attack requires a generator capable of providing clean electricity (inverter technology) of a minimum 1200 watts at 120 volts 60hz.
2. Be sure the power switch is "OFF" before plugging Snap Attack into the generator.
3. Start the generator and allow it to reach full speed before turning the power switch "ON".

IMPORTANT: Generator speed fluctuations can damage the electronic speed control. Maintain adequate fuel in the generator at all times.

4. Turn the Snap Attack power switch "OFF" before shutting off the generator and before unplugging the Snap Attack.

SET-UP & PREPARATION

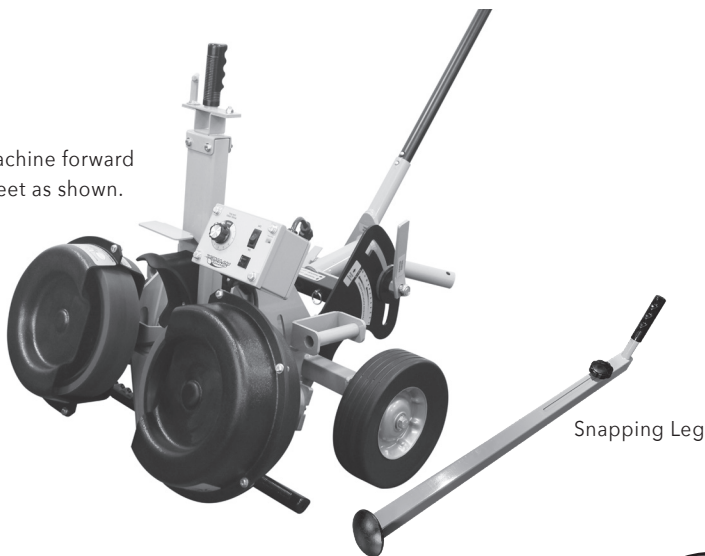
Using the Snap Attack on the ground as a centering machine

The Snap Attack can be used in one of two modes. The first is when it is used on the ground to perform as a centering machine. The second is when it is used on its stand to perform as a quarterback when throwing passes or as a kicker or punter.

Setting machine up to perform as a centering machine

1. If machine is attached to stand:
 - a. Tip machine up and over onto feet (See Figure 1).
 - b. Unsocket the three legs and remove both knobs (See Figure 2) and store on same bolts.
 - c. Remove machine from stand.
2. Open rear leg support latch and insert rear leg support (See Figure 3).
3. Close latch over rear leg and tighten with wing nut (See Figure 4).
4. Tip machine back onto rear leg.
5. Point machine to desired direction.
6. Adjust angle by using your left hand to grab the passing handle and right hand to depress and adjust into 1 of 10 positions.
7. Turn machine on and turn Wheel speed control Knob to approximate speed.
8. Set ball carefully into Ball Cradle and feed ball into throwing wheels.
IMPORTANT: For tightest spiral slide Ball Cradle gently, allowing wheels to capture & impel ball. Do not jam cradle and ball into machine.
9. Adjust elevation and wheel speed until exact spin is attained.

Figure 1 Tilt machine forward until it rests on feet as shown.



SAFETY HINT

When lowering or lifting, Snap Attack keep your back straight and lift with your legs. Be ready to grab the wheel guard and guide Snap Attack into the upright position.

WARNING

HAZARD FROM HIGH-SPEED PROJECTILES

Being struck by a thrown ball can cause serious injury or death. Make sure that no one steps in front of Snap Attack while it is connected to electric power.

Clear everyone away from machine before connecting Snap Attack to electric power.

Machine Setup-Centering/Snapping Position



Snap Attack in centering/snapping position

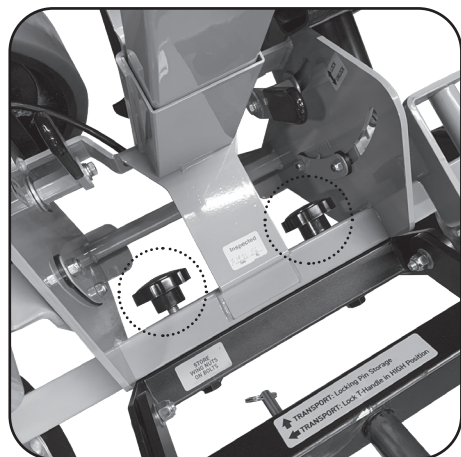


Figure 2 Remove both knobs.

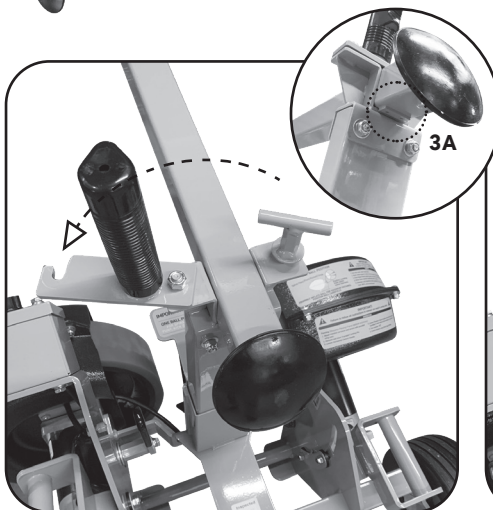


Figure 3 Open latch to insert snapping leg support. Snapping leg should rest on stopper (3A).

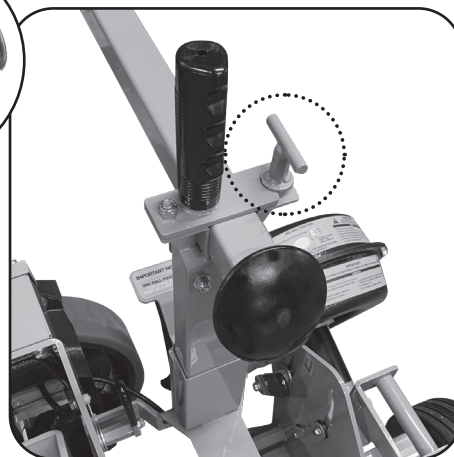


Figure 4 Close latch and tighten wing nut.

SET-UP & PREPARATION

Using the Snap Attack on the stand to throw passes, punts and kickoffs

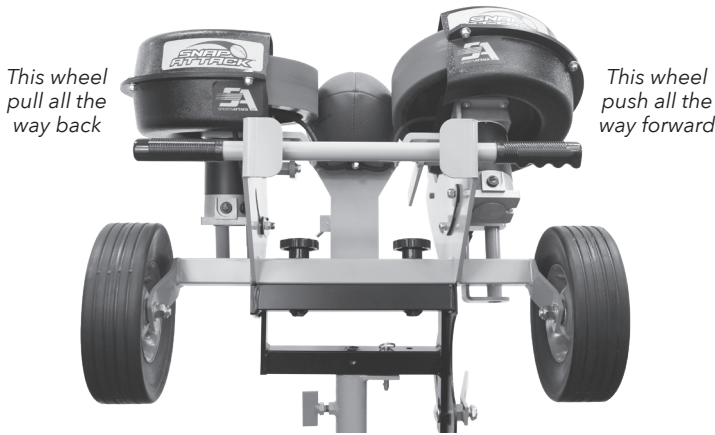
IMPORTANT: Lock pin (A) must be removed (See Figure 4, pg. 6) and stored in adjacent hole to left. This will allow machine to pivot horizontally.

IMPORTANT: For maximum distance, balls must be properly inflated. (See chart at bottom of page 2).

SETTING MACHINE UP

1. Using knobs (See Figure 3, pg. 6) which are stored on bolts, attach throwing head to undercarriage, tighten wing nuts knobs securely to undercarriage.
2. Insert 3 legs into sockets.
3. Using lifting handles, tilt machine up onto all three tripod legs.
4. Remove lock pin and store in adjacent hole to left (See Figure 4).
5. Loosen horizontal control handle (D) (See Figure 4, pg. 6).
6. Loosen pass and kick elevation handle (E) (See Figure 5, pg. 6).
7. Plug machine into power source. (110v)
8. Turn power switch "ON".
9. Loosen wheel tilt handle (G) (See Figure 1, pg. 3) . Over time this wheel tilt handle will have to be re-tightened or adjusted.
10. Using wheel tilt angle handle (C) (See figure 2) push forward for end-over-end or pull back for passes and punts.
11. Dial wheel speed (F) to approximate speed.
12. Continue throwing test balls and adjusting speeds until desired distance and speed is achieved.

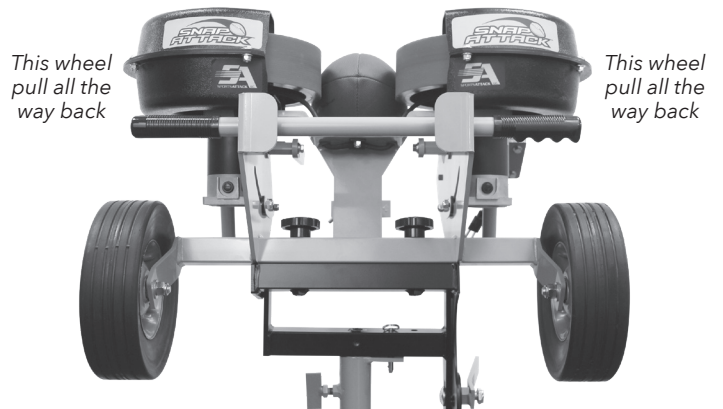
NOTE: Maximum post height should not exceed 34" with the stand on the ground. See page 12.



RIGHT-HAND Spin Setup



LEFT-HAND Spin Setup



KICK OFF Position

SAFETY HINT

When lowering or lifting, Snap Attack keep your back straight and lift with your legs. Be ready to grab the wheel guard and guide Snap Attack into the upright position.

WARNING HAZARD FROM HIGH-SPEED PROJECTILES

Being struck by a thrown ball can cause serious injury or death. Make sure that no one steps in front of Snap Attack while it is connected to electric power.

Clear everyone away from machine before connecting Snap Attack to electric power.

SHUTTING DOWN & TRANSPORTING

TURNING SNAP ATTACK "OFF"

1. Turn the power switch "OFF" and unplug Snap Attack from the power source.

TRANSPORTING WITH STAND

1. Be sure machine is turned "OFF" and wheels are not turning.
2. Unplug cord from extension cord, standard outlet or generator.
3. Frame lock pin (A) (See Figures 2 & 4) must be inserted in hole to right, locking head into position for transporting.
4. Using the elevation control, tilt the throwing heads up (to high position) and lock into place (See Figure 5). This will facilitate transporting.

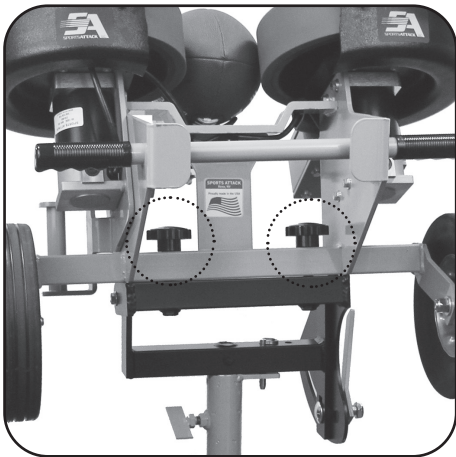


Figure 3

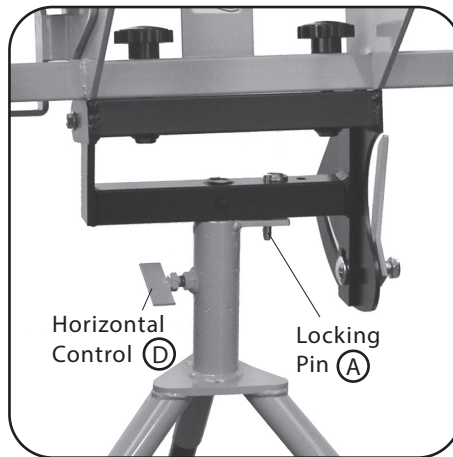


Figure 4 Lock pin inserted to lock throwing head into position for transporting.



Figure 5 Loosen stand elevation handle.

SAFETY HINT

When lowering or lifting, Snap Attack keep your back straight and lift with your legs. Be ready to grab the wheel guard and guide Snap Attack into the upright position.

WARNING HAZARD FROM HIGH-SPEED PROJECTILES

Being struck by a thrown ball can cause serious injury or death. Make sure that no one steps in front of Snap Attack while it is connected to electric power.

Clear everyone away from machine before connecting Snap Attack to electric power.

SHUTTING DOWN & TRANSPORTING (continued)

- Using handles **Ⓒ** (See Figure 1, pg. 3) tip machine up and over onto lifting handle assembly feet See Figure 1). Unsocket two lower (front) legs, leaving upper (rear) leg in socketed position.
- Lift rear leg and roll machine (See Figure 5 to right).

PASSING, PUNTING & KICKOFF

The Snap Attack is able to simulate both right-hand and left-hand spins.

Two wheel tilt handles **Ⓒ** (See Figure 1) are located underneath both motors, one on each side, and are used to change the angle of the wheels to provide either end-over-end or spiral ball delivery.

L- Left spiral pass, left handle is all the way forward away from operator, right handle is in the opposite position.

R- Right spiral pass, right handle is all the way forward away from operator, left handle is in the opposite position.

K- Lines indicate range for kick-off setting, depending on ball size and inflation, forward line provides furthest distance. Both handles must be in the same position in the slider for an end-over-end kick.

FEEDING BALL INTO THROWING WHEEL (See Figure 6, pg. 8)

IMPORTANT: Be sure cradle is pulled all the way back. Use ball feed handle **Ⓙ** (See Figure 2, pg. 3). Ball is positioned the same in cradle for any pass, punt or snap See Figure 6, pg. 8).

CARE, CLEANING & MAINTENANCE LUBRICATION

(once per season, or as required)

- Pass & Kick Elevation Control Handle **Ⓔ** (See Figure 2, pg. 3) Apply fresh grease to threads.
- Horizontal Swivel Lock
 - Completely remove the horizontal pivot control handle. Clean all old grease, dirt, etc. from the threads.
 - Wipe the threads with a very small amount of fresh grease.
 - Reinstall.

THROWING WHEEL MOTORS

Motors are sealed and require no lubrication. Check bolts for tightness once a season. Tighten bolts securely, but do not over-tighten. (See page 7).

CLEANING THE THROWING WHEELS

The throwing wheels must be kept clean to maintain accuracy. Clean the wheels periodically to control the build-up of grass and dirt.

- Turn the power switch "OFF" and allow the wheels to come to a complete stop. Unplug Snap Attack from electric power.
- Dampen a rag with soap and water. Turn the throwing wheel by hand and scrub the wheel until the build-up is removed. For very heavy build-up, a synthetic scouring pad, such as a Scotch-Brite® scouring pad, may be used sparingly.

EXAMINE THE MACHINE

Examine Snap Attack for condition and completeness before every use:

- Throwing wheels must be tight on the motor shafts. Check that the four bolts holding the motor to the throwing head assembly are tight.
- Wheel guard and ball cradle must be securely fastened.



Figure 5 Lift rear leg and roll. Shown being used with pass and punting stand.

CAUTION PERSONAL INJURY HAZARD

Never attempt to clean the throwing wheels while they are turning. Rags or implements caught in spinning wheels can cause serious injury.

Unplug the machine before cleaning the wheels or performing any service.

COMPONENT REPLACEMENT

THROWING WHEEL REPLACEMENT

1. Turn the throwing wheels "OFF" and unplug the power cord. Remove 4 bolts holding the top wheel guard to the bottom wheel guard.
2. Hold the wheel so that it cannot move. Turn the keyway retaining bolt counter-clockwise using a box end wrench (See Figure 7 below, right).
SUGGESTION: If the bolt is too tight, give the opposite end of the wrench a series of light taps with a hammer making sure the wrench remains on the bolt.
3. Remove the bolt and washers.
4. Work the wheel off of the motor shaft. Be sure to catch the key as it is freed from the keyway.
5. Ball throwing wheels are machine balanced. Small holes in the side of the wheel are applied at the factory and are normal.

Reassemble in reverse order.

- a. Install wheel to motor shaft with key slots aligned.
- b. Be sure the key is in place, and inserted so that it is flush with the boss at the wheel center.
- c. Be sure the Washer and Lock Washer are installed in the right order, and that the keyway retaining bolt is tightened.
- d. Test the wheel by spinning it by hand and making sure that it spins freely without wobble before turning the unit "ON".
- e. Be sure the top wheel guard is properly and securely reinstalled.

MOTOR REPLACEMENT

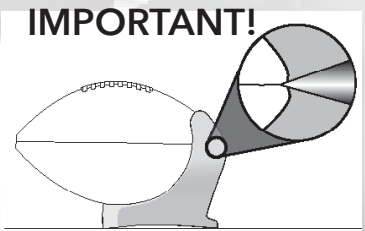
1. Turn the power switch "OFF" and unplug the power cord.
2. Remove top wheel guard.
3. Remove the throwing wheel.
4. Remove bottom wheel guard.
5. Remove four screws holding the controller into the control box. Note the position of the motor wires on the controller, then disconnect the wire for the motor to be replaced.
6. Note the routing of the motor wires. Loosen wire clamps and pull wire away from machine.
7. To remove motor, remove the 2 - 1/4" x 3/4" coarse Allen flat socket cap screws using a 5/32" Allen wrench. Then remove the 2 - 5/16" x 1" coarse thread bolts using a 1/2" socket.
8. Reassemble in reverse order.

NOTE: Check bolts for tightness once a season. Tighten bolts securely, but be sure not to over-tighten.



Figure 6

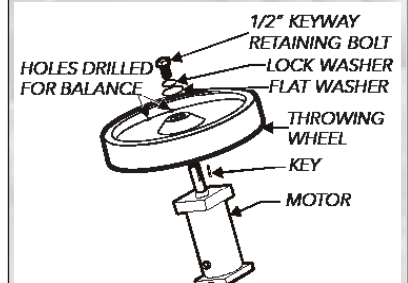
IMPORTANT NEW FEATURE-Same ball position in cradle is used for spiral pass, punt, kickoff and snap.



Spiral Pass/Punt/Snap Position the locating point where seams intersect



Figure 7 Hold wheel in place while loosening bolts.



COMPONENT REPLACEMENT (continued)

CONTROLLER REPLACEMENT

1. Turn the power switch "OFF" and unplug the power cord.
2. Remove knob from the controller.
3. Remove four screws holding controller faceplate into main casting. Note the position of the main power and motor wires on the controller, then disconnect the wires. (See Figure 8) for the two motor wires and the main power cord wires.
4. Loosen the nuts holding the speed control shaft (potentiometer) to the faceplate, then remove the controller.

Reassemble in reverse order.

Be sure wires are correctly reinstalled. Motor wire connectors are different sizes. Be sure they are installed on the correct size terminal.

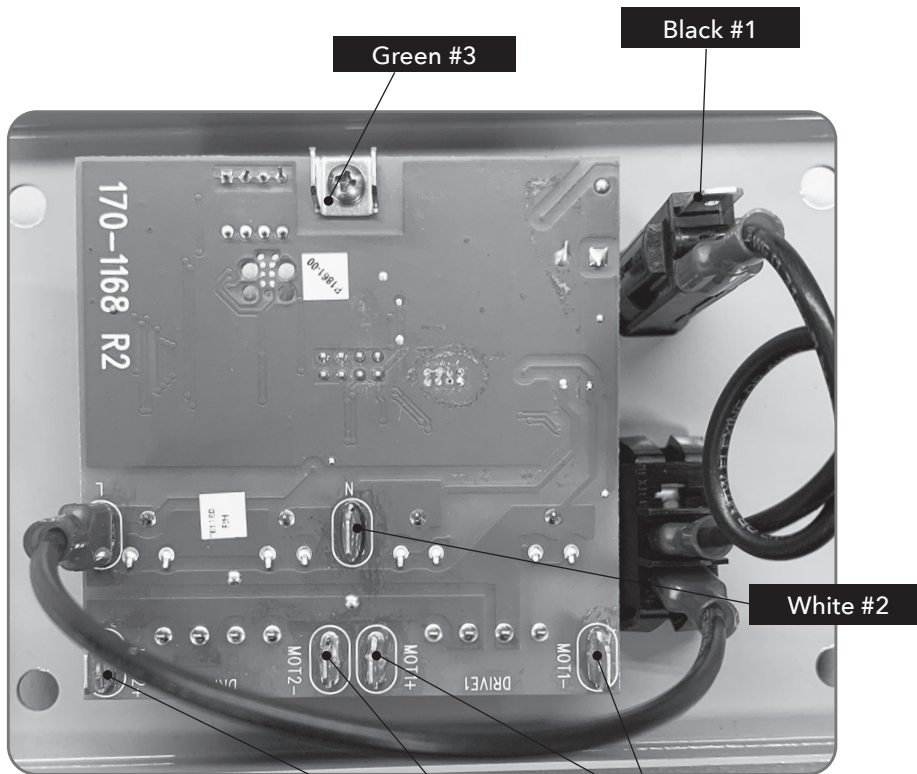


Figure 8
Wiring diagram for both motors.

POWER CORD WIRE

Black (#1)

On/Off switch

White (#2)

N on green control board

Green (#3)

Grounds to machine

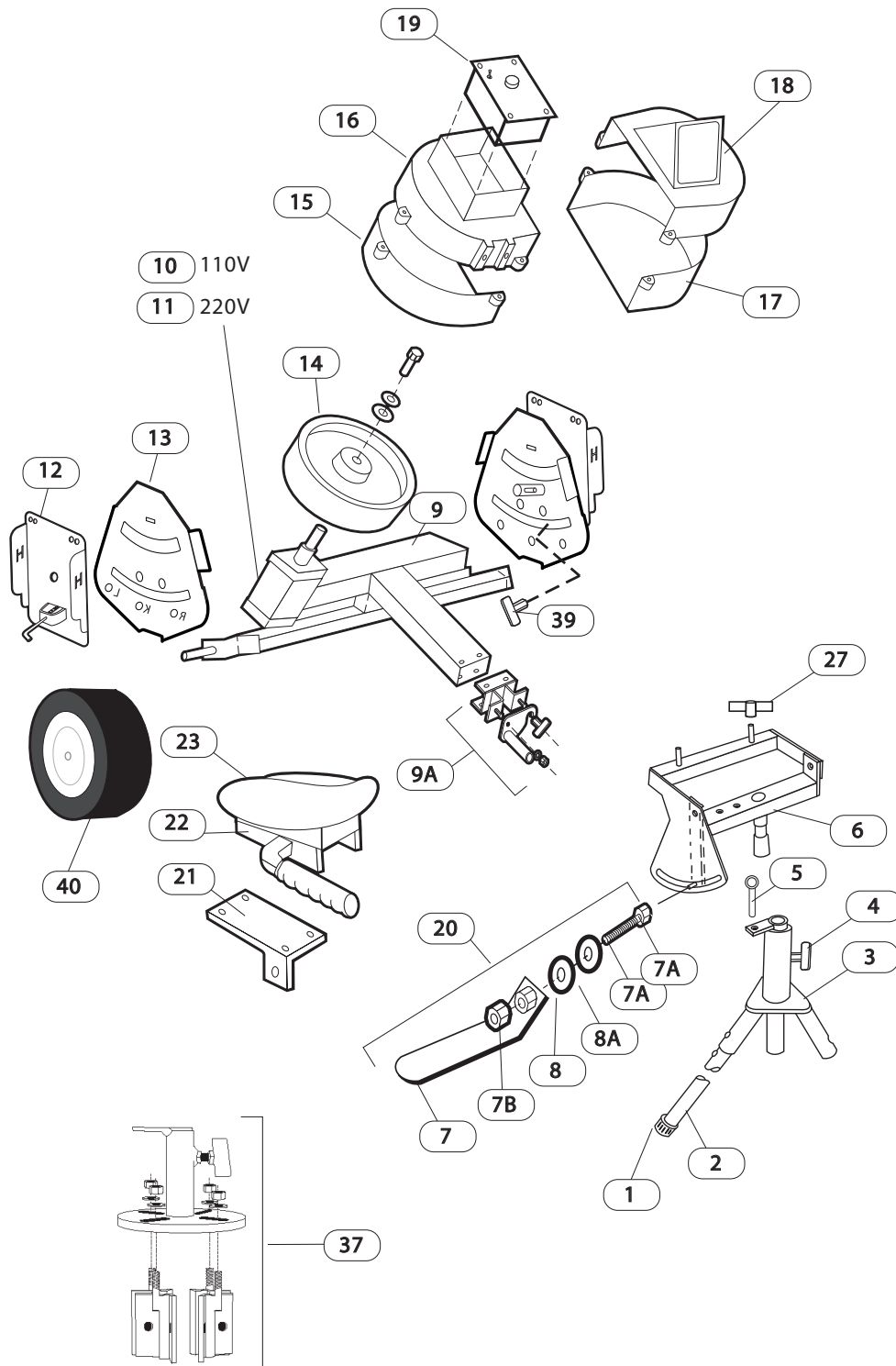
CONNECTING WIRES

Motor	Black Wire	White Wire
Right	MOT2-	MOT2+
Left	MOT1+	MOT1-

Left is the side with the Control Plate as you stand behind machine.

Black motor wires are $\frac{3}{16}$ " female disconnect and white wires are $\frac{1}{4}$ " female disconnect.

EXPLODED VIEW - SNAP ATTACK™



- 1 Cane Tip
- 2 Leg
- 3 Swivel Assy
- 4 Handle Horizontal Swivel Lock
- 5 Locking Pin Frame to Swivel
- 6 Undercarriage Assy
- 7 Handle, Elevation
- 7a Bolt, Carriage
- 7b 5/8" Nylon Nut
- 8 Disc, Elevation
- 8a bElevation Clutch
- 9 Throwing Head Assy
- 9a Snapping Tube Elevation Mount
- 10 Motor 110V
- 11 Motor 220V
- 12 Motor Mount Plate with Pin
- 13 Smile Plate
- 14 Throwing Wheel
- 15 Wheel Guard, Lower Left
- 16 Wheel Guard, Upper Left
- 17 Wheel Guard, Lower Right
- 18 Wheel Guard, Upper Right
- 19 Controller (110V/220V)
- 21 Slide, Lower Cradle Slide
- 22 Slide, Upper Cradle Slide
- 23 Ball Cradle
- 27 Throwing Head to Yoke Knob
- 39 Knobb, Motor Lock
- 40 Travel Wheel

- 37 Universal Cart Clamp

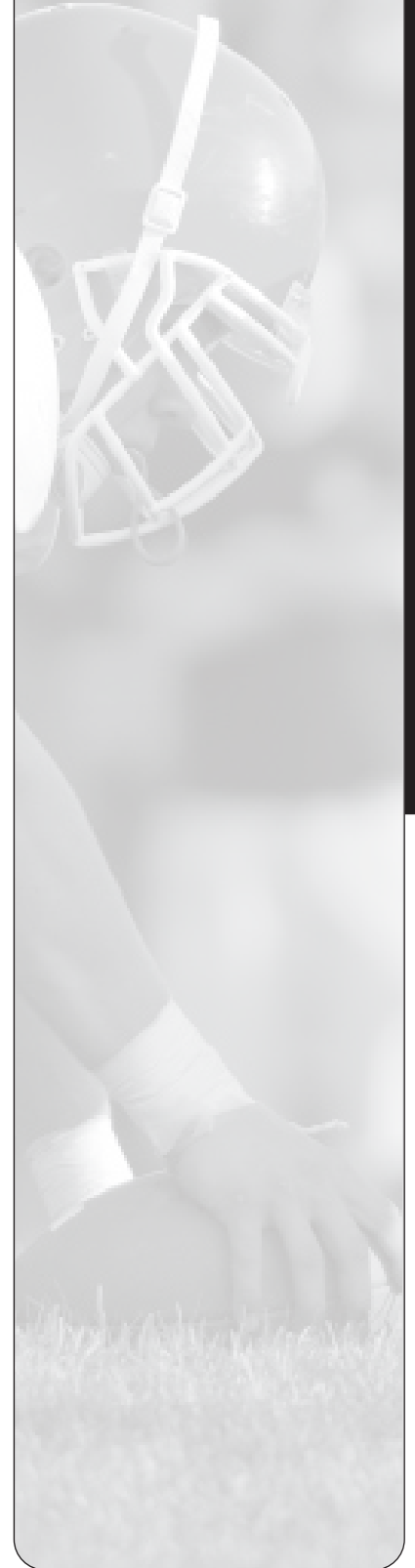
Exploded View

PARTS LIST

EM	PART NO.	DESCRIPTION	QTY PER
1	280-1003	Cane Tip	1
2	532-0007	Leg	1
3	531-1046	Swivel Assy	1
4	533-2016	Handle Horizontal Swivel Lock	1
5	340-2009	Locking Pin Frame to Swivel	1
6	533-2014	Undercarriage Assy	1
7	533-2026	Handle, Elevation	1
7A	410-0040	Bolt, Carriage	1
7B	430-1041	5/8" Nylon Nut	1
8	533-2027	Disc, Elevation	1
8A	340-2019	Elevation Clutch	1
9	510-0004	Throwing Head Assy	1
9A	533-2012	Snapping Tube Elevation Mount	1
10	530-1012	Motor 110V	2
11	530-1013	Motor 220V	2
12	531-1029	Motor Mount Plate with Pin	2
13	271-0008	Smile Plate	2
14	531-0009	Throwing Wheel	2
15	533-2022	Wheel Guard, Lower Left	1
16	533-2023	Wheel Guard, Upper Left	1
17	533-2021	Wheel Guard, Lower Right	1
18	533-2024	Wheel Guard, Upper Right	1
19	530-0005	Controller (110V/220V) - Specify	1
20	533-2016	Handle Lifting	2
21	350-0006	Slide, Lower Cradle Slide	1
22	350-0007	Slide, Upper Cradle Slide	1
23	520-0010	Ball Cradle	1
24	533-2002	Spring Lever Snap Elevation Control	1
25	290-0005	Foot	1
26	533-2000	Snapping Tube, Lower Elevation	1
27	280-2000	Throwing Head to Yoke Knob	1
28	533-2006	Snapping Elevation Extension Tube	1
29	290-0004	Snapping Elevation Control Handle	1
39	280-2001	Knobb, Motor Lock	2
40	281-0001	Travel Wheel	2
Cart Clamp Kit (optional)			
37	130-3004	Universal Cart Clamp	1

To order additional parts please contact:

Sports Attack
Customer Service Dept.
Ph 800.717.4251
Fx 775.345.2883



ATTACHING OPTIONAL CART CLAMP

Designed to fit 2½" to 4" round or square post

1. Insert clamp bolt through top plate. Loosely attach washer and nut. Finger tighten.
2. Put 3 bolts through sides of clamps. Slide unit over post, then attach fourth bolt.
3. Center top plate to post. Begin tightening 4 clamps to top plate, but do not completely tighten.
4. Begin to secure the 4 side bolts. Completely tighten.
5. Completely tighten 4 clamp nuts to top plate.

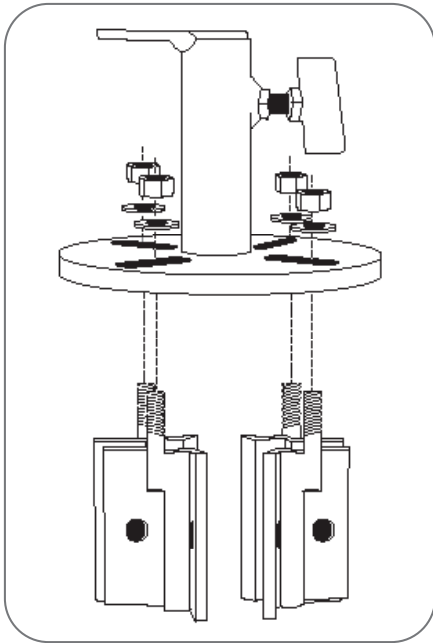


Figure 9 Insert clamp bolt through top plate.

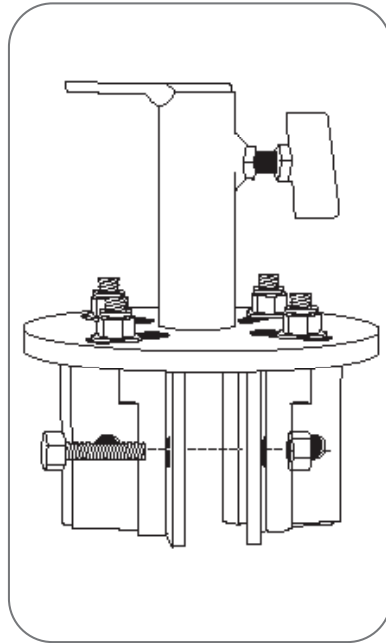


Figure 10 Put 3 bolts through sides of clamps.

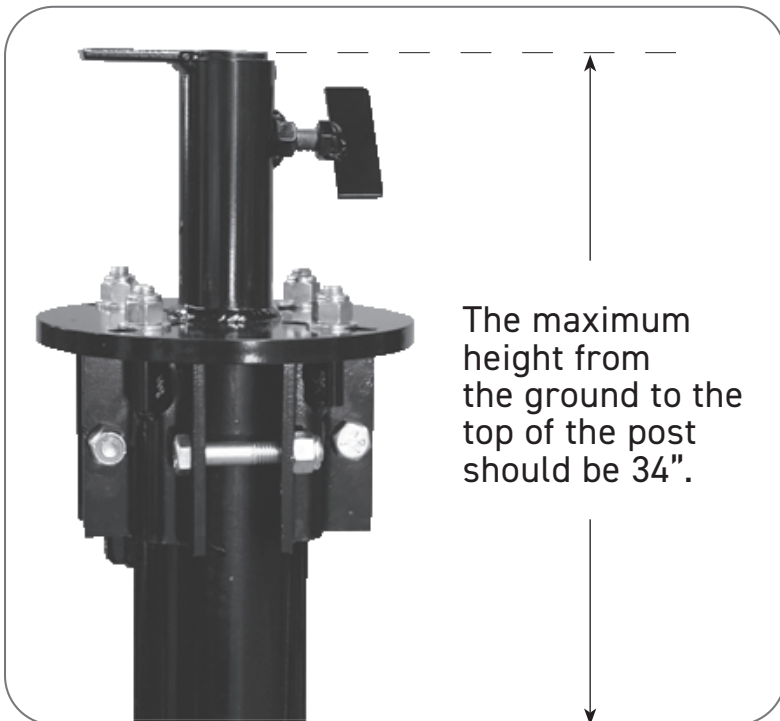


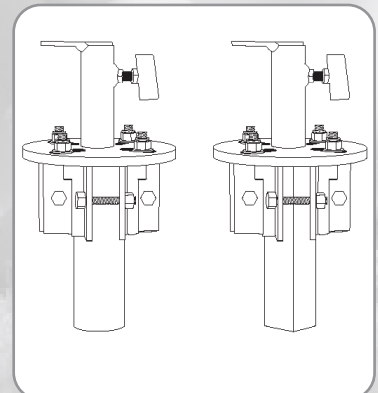
Figure 11 Slide unit over post and attach 4th bolt.

CART CLAMP KIT

Item	Qty
Clamp	4
Top Plate	1
½-13x3 ½ Bolts	4
½-13 Nylon Lock Nuts	8
½ SAE Plain Washers	4

Tools needed are either a ¾ wrench or socket wrench.

Note: Maximum post height should not exceed 34" with the stand on the ground. When attaching the option cart clamp, slide unit over post and dry fit to ensure that maximum post height from ground to top of the post does not exceed 34". If your post height exceeds 34", you should cut your post so that it complies with this measurement.



Clamp can be used on round or square posts.