

**SKILL
ATTACK™**
VOLLEYBALL PITCHING MACHINE



NEW DESIGN!

SKILL ATTACK™ PITCHING MACHINE
PATENTS APPLIED FOR

INSTRUCTION MANUAL
OPERATION · SETUP · USE & CARE · SERVICE



SPORTS ATTACK LLC. | 800.717.4251 | www.sportsattack.com

WARRANTY STATEMENT

What is most important to Sports Attack is that your machine meets your expectations and represents our high standards of quality and performance. No matter the circumstances, if this is not the case, we encourage you to call our customer service department at 800.717.4251.

Warranty:

Residential & Institutional

We stand behind the material and workmanship of our machines as well as all wear components (i.e., throwing wheels, controllers, and motors) for a period of two (2) years from the date of original purchase based on the serial number and date codes on the unit.

Commercial

We stand behind the material and workmanship of our machines as well as all wear components (i.e., throwing wheels, controllers, and motors) for a period of one (1) year from the date of original purchase based on the serial number and date codes on the unit.

Requirements of the Warranty

- Warranty wear components such as motors, controllers and wheels may now require a picture or live video when submitting your request.
- The serial number that represents the date of original shipment must be legible on the Product, it cannot be removed or altered in any way.
- All date codes on unit components must be legible, not removed or altered in any way.
- If warranty components have previously been provided by Sports Attack for the unit, video evidence of their use on the machine must be provided when submitting your request.

Not Included in this Warranty:

- Normal wear and tear;
- Cosmetic damage (i.e., minor scratches, surface deformations, or discolorations) including natural fading of colors;
- Damage caused by misuse, abuse, accident or negligence including prolonged exposure to inclement weather;
- Damage caused by fire, flood or any other Act of God;
- Unauthorized modification or alteration of a machine including the use of non-authorized, after market components; and
- Any damage or failure arising after the warranty period.

The Warranty Process

If you encounter any issues during the warranty period, Sports Attack will quickly get your machine back in working order. To submit a warranty request, you must call our customer service department at 800.717.4251. If the warranty repair involves a replacement part, we will make sure you get both the part and easy instructions for replacement at no cost to you.

Returns

Sports Attack manufactures the highest quality sports training equipment in the world. If for any reason you are not satisfied, a machine can be returned within 30 days of receipt, for any reason, for a full refund less a 15% restocking fee. Cost of shipping the unit back to Sports Attack will also be the responsibility of the purchaser. Please note that the refund amount may be reduced by any non-cosmetic damage to the machine.

Please call customer service department at 800.717.4251 for returns.

SHIPPING DAMAGE CLAIMS PROCEDURE

NOTE: For your protection, please note that equipment in this shipment was carefully inspected and packaged by skilled personnel before leaving the factory.

Upon acceptance of this shipment, the transportation company assumes full responsibility for its safe delivery.

IF SHIPMENT ARRIVES DAMAGED:

1. **VISIBLE LOSS OR DAMAGE:** Be certain that any visible loss or damage is noted on the freight bill or express receipt, and that the note of loss or damage is signed by the delivery person.

(cont. on page 3)

To register the Warranty, please go to our website:

sportsattack.com/warranty

For repairs and service after the Warranty period, please call:

Sports Attack
Customer Service Dept.

Ph 800.717.4251

Fx 775.345.2883

RETURNS

To return an item, please contact our Customer Service Department at 800.717.4251.

A 15% restocking fee will be charged for any items accepted for return. It is the customer's responsibility to handle the repacking and shipment (as well as all associated fees) back to Sports Attack.

No returns will be accepted after 30 days of receiving product.

2. **FILE CLAIM FOR DAMAGE IMMEDIATELY:** Regardless of the extent of the damage.
3. **CONCEALED LOSS OR DAMAGE:** If damage is unnoticed until the merchandise is unpacked, notify the transportation company or carrier immediately, and file "CONCEALED DAMAGE" claim with them. This must be done within fifteen (15) days from the date the delivery was made to you. Be sure to retain the container for inspection.

Sports Attack LLC. cannot assume liability for damage or loss incurred in transit. We will, however, at your request, supply you with the necessary documents to support your claim.

INTRODUCTION

Thank you for purchasing this Sports Attack LLC. equipment.

Proper assembly, careful operation and consistent maintenance of this equipment will ensure that it gives you the very best performance and a long, economical service life.

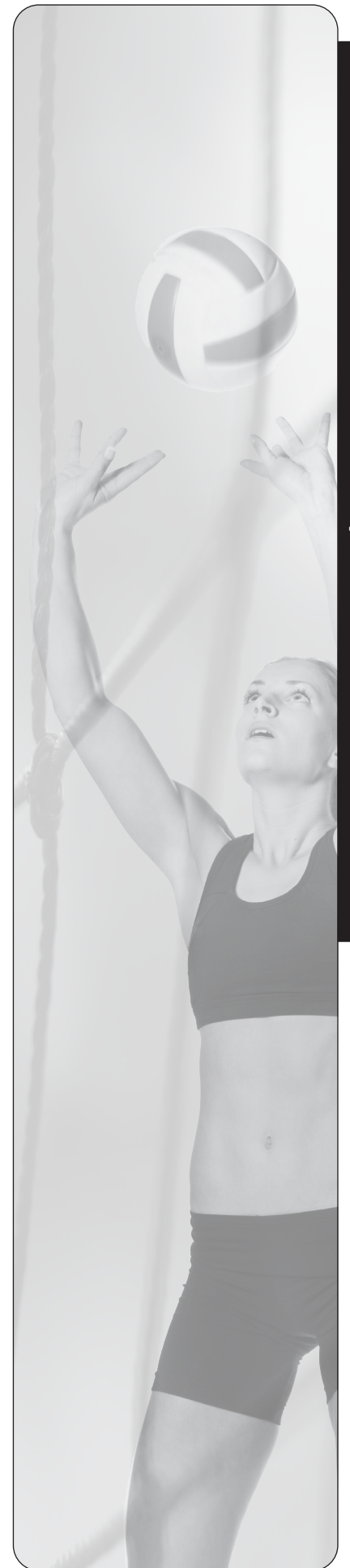
This manual contains the information needed to properly set up the Skill Attack, as well as to use, care for and maintain the Skill Attack in a manner which will ensure its optimum performance.

RECEIVING THE PRODUCT

Please check the contents of your boxes to ensure you have received all parts for the machine. If anything is missing or damaged, call Sports Attack Customer Service, 800-717-4251. If the product or package has been damaged in shipping, note on shipping tag, save all evidence of damage along with related documents and contact the shipper immediately.

TABLE OF CONTENTS

| | |
|---|-----|
| Warranty Statement | xi |
| Operating Safety Instructions | 4 |
| Assembly Instructions | 5 |
| Operating Instructions | 6 |
| Shutting Down Machine | 6 |
| MAINTENANCE & SERVICE | |
| Care & Cleaning | 7 |
| Component Replacement | 8-9 |
| Part List | 10 |



SAFETY INSTRUCTIONS

ELECTRICAL SAFETY

Use a 115 volt single phase 3-wire (2 wire with ground) grounded power source.

Up to 200 ft. from power source, use a minimum #14/3 grounded 3-wire 15 amp minimum rating extension cord.

Over 200 ft. from power source, consult a licensed electrician for required power cord size.

OPERATING SAFETY

CAUTION: Carefully check Skill Attack for completeness and condition before connecting to electrical power:

1. Never reach hands into throwing wheel area.
2. Always use the Skill Attack with throwing wheel guards in place.
3. Use the Skill Attack only under adult supervision.
4. Use the Skill Attack only for its intended purpose.
5. Do not operate the Skill Attack with a damaged cord or plug if the machine malfunctions or has been damaged.
6. Check machine before turning "ON" to make sure there are no foreign object in feed chute.
7. If ball becomes lodged and stops motor, immediately turn the Skill Attack "OFF" before dislodging.
8. To dislodge ball from throwing wheel, unplug machine and push ball through chute. Do not reach hand into feed chute with the machine running.
9. Only one person at a time should operate the Skill Attack.
10. Do not allow anyone to walk directly in front of the machine. Keep face and hands away from ball exit.
11. A ball should always be test thrown from the Skill Attack before beginning any drill. Throw several balls to verify end location.
Refer to ball manufacturer for proper inflation requirements.
12. Keep hands, hair and loose clothing away from moving parts.
13. Do not use near water or use damp or wet balls.

WARNING PERSONAL INJURY HAZARD

Carefully read all instructions in this manual, and all labels and warnings on the Skill Attack before using this machine.

Use machine only under adult supervision. Failure to operate Skill Attack as described in this manual can result in severe personal injury or death.

ELECTRICAL SHOCK HAZARD

Skill Attack volleyball machine must be connected to a properly grounded electrical receptacle.

Do not operate on wet ground.

WARNING PERSONAL INJURY HAZARD

Keep hands away from throwing wheels anytime the machine is connected to a power source.

Carefully check Skill Attack for completeness and condition before connecting it to electrical power.

EQUIPMENT ELECTRICAL DAMAGE

DO NOT plug in or energize this equipment until all Assembly Instructions (see page 5) and Operation Instructions (see page 6) are read and followed.

ASSEMBLY INSTRUCTIONS

Tools required: Wrench for casters (provided. See Figure 2).

STEP ONE

Lay out all parts and check them against parts list. Call customer service immediately if any parts are missing. Please have applicable part numbers as shown on parts list (See page 10).

STEP TWO

Screw on casters to the end of legs. Tighten with the wrench provided (See Figure 2).

STEP THREE

Insert the three legs into tripod sockets, make sure snap button is in place.

STEP FOUR

Remove the carriage bolt and knob from throwing head (See figure 1).

STEP FIVE

Attach throwing head into the tripod assembly.

STEP SIX

Attach the carriage bolt and knob. Make sure its tight.

Assembly is now complete and your Skill Attack Volleyball Machine is ready for use. See instructions in the manual and on the decals on the machine for operating procedures and options.

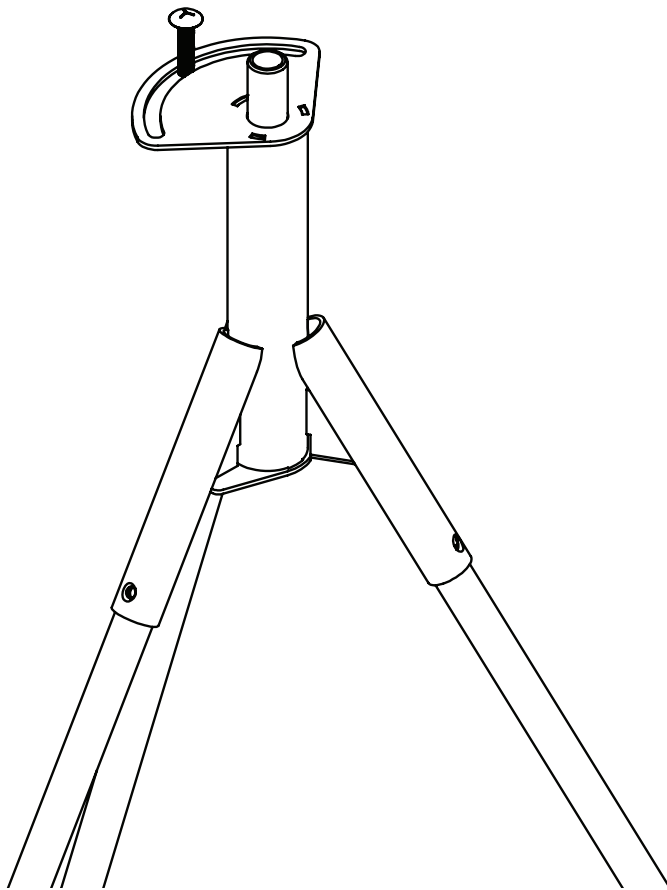


Figure 1 Assembling the tripod base.



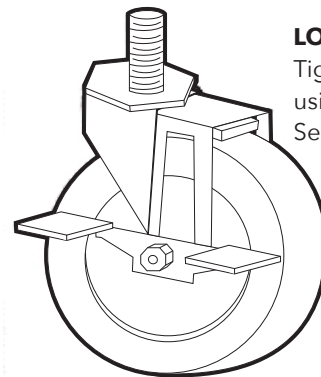
Safety Instructions

To order additional parts, please call:

Sports Attack Customer Service Department
Ph 800.717.4251
Fx 775.345.2883



Figure 2 Wrench provided (in the nut and bolt kit with casters) to securely tighten casters.



LOCKING CASTER (QTY 3)
Tighten casters securely using the wrench provided. See Figure 2.

SKILL ATTACK OPERATION

The Skill Attack is the perfect individual training machine. No special training other than the complete careful reading of this manual is required to operate.

INCREASE OR DECREASE SPEED

1. Before turning machine "ON," turn dials located on the throwing head to the "OFF" position.
2. Turn power switch to "ON." Turn speed control knobs clockwise to turn the machine "ON" and to increase speed.
3. Turn the speed control knobs counterclockwise to decrease speed.

BALL SPIN, BREAK OR MOVEMENT

1. Floater - Both knobs turned to the same setting, making the wheels spin at the same RPM.
2. Top Spin - Upper wheel turning fast, lower wheel turning slowly. Variations of the ball spin and break are determined by the wheel speeds.

HORIZONTAL CONTROL

1. Loosen to vary direction.
2. Tighten for repeatability.

SKILL ATTACK SHUTTING DOWN

TURNING SKILL ATTACK "OFF"

1. Set each speed control dial to "0."
2. Turn the on/off switch "OFF."
3. Unplug Skill Attack from the power source.

TRANSPORTING

1. Turn the machine "OFF" and unplug.
2. Detach throwing head from tripod and carry.
See Figure 3.



Figure 3
The Skill Attack is extremely portable.

CARE & CLEANING

LUBRICATION

1. Once per season, or as required.
2. Throwing wheel motors are sealed and require no lubrication.

EXAMINE THE MACHINE

Examine Skill Attack for condition and completeness before every use:

1. Throwing wheels must be tight on the motor shafts.
2. Check that the keyway retaining bolts are tight.
3. Wheel guard and ball chute must be securely fastened to the throwing head.

CAUTION PERSONAL INJURY HAZARD

Never attempt to clean the throwing wheels while they are turning. Rags or implements caught in spinning wheels can cause serious injury.

Unplug the machine before cleaning the wheels or performing any service.

CHEMICAL HAZARD

Methyl Ethyl Ketone (M.E.K)

Read and follow the directions and safety instructions on the M.E.K container.

FIRE HAZARD

Methyl Ethyl Ketone (M.E.K)

M.E.K. is flammable. Do not use M.E.K. around a fire or flame. Do not use M.E.K. near a running generator or other source of ignition.

COMPONENT REPLACEMENT

THROWING WHEEL REPLACEMENT

1. Turn the power switch "OFF" and unplug the power cord.
2. Hold the wheel so that it cannot move. Turn the retaining screw counterclockwise using a 1/2" open end wrench.
SUGGESTION: If the screw is too tight, give the opposite end of the wrench a series of light taps with a hammer making sure the wrench remains on the screw.
3. Remove the screw.
4. Work the wheel off of the motor shaft.

Reassemble in reverse order.

- a. Install wheel to motor shaft.
- b. Test the wheel by spinning it by hand and making sure that it spins freely without wobble before turning the unit "ON."
- c. Be sure the wheel guard is properly and securely reinstalled.

MOTOR REPLACEMENT

1. Turn the power switch "OFF" and unplug the power cord.
2. Remove the throwing wheel.
3. Remove four screws holding controller into main control box. Note the position of the motor wires on the controller, then disconnect the wires.
4. Note the routing of the motor wires. Loosen any wire clamps.
5. Remove bolts holding the motor to the main frame.

Reassemble in reverse order.

ADDITIONAL INFORMATION

If you have any questions regarding the safe operation of the Skill Attack, please call:

Sports Attack Customer
Service Department
Ph 800.717.4251
Fx 775.345.2883

GENERATOR INFORMATION

1. Skill Attack requires a generator capable of providing clean electricity at a minimum 1200 watts at 120 volts 60hz.
2. Be sure the power switch is "OFF" before plugging Skill Attack into the generator.
3. Start the generator and allow it to reach full speed before turning the power switch "ON".

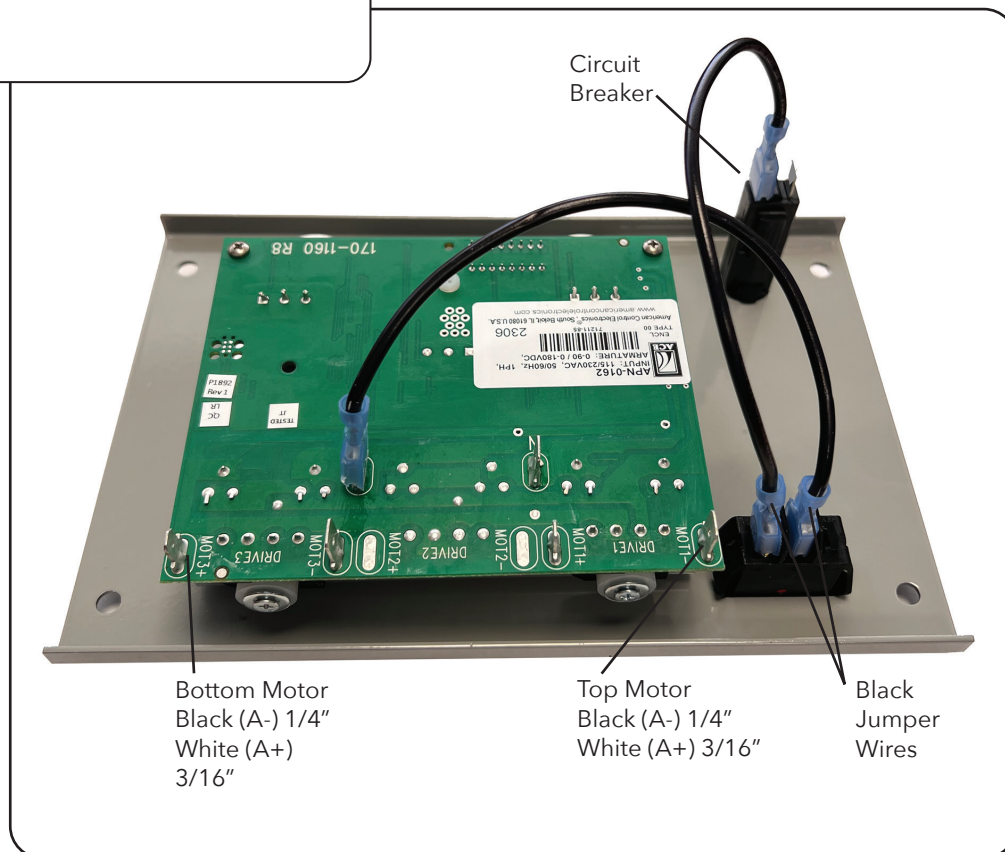
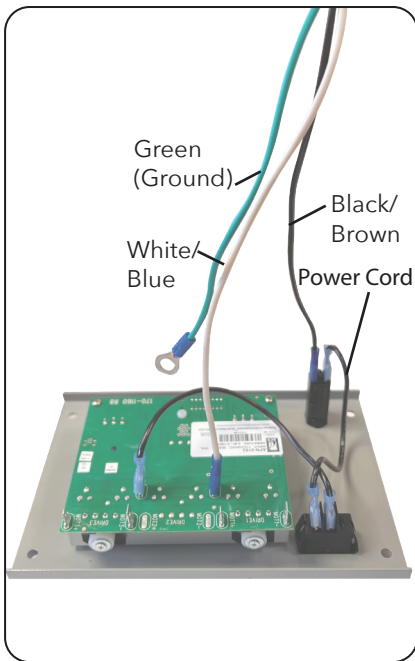
IMPORTANT: Generator speed fluctuations can damage the electronic speed control. Maintain adequate fuel in the generator at all times.

4. Turn the Skill Attack power switch "OFF" before shutting off the generator and before unplugging the Skill Attack.

COMPONENT REPLACEMENT *(cont'd)*

CONTROLLER REPLACEMENT

1. Turn the on/off switch "OFF" and unplug the power cord.
2. Remove the four screws holding controller faceplate. Note the position of the main power and motor wires on the controller, then disconnect the wires.
3. Reassemble in reverse order.
 - a. Be sure wires are correctly reinstalled. Motor wire connectors are different sizes. Be sure they are installed on the correct size terminal.
 - b. When attaching the knobs, turn the speed control shafts fully counter-clockwise, then install the knobs with the pointer to "0."



WIRING

POWER CORD

White or Blue Wire (1)

To middle male terminal marked "N."

Black or Brown Wire (2)

To circuit breaker.

Green Wire (3)

Grounds to machine/motor.

MOTOR WIRE LEADS

White 3/16" wide connectors.

Black 1/4" wide connectors.

Black Wire (2) connects to A- on circuit board.

White Wire (2) connects to A+ on circuit board.

CONTROLLER

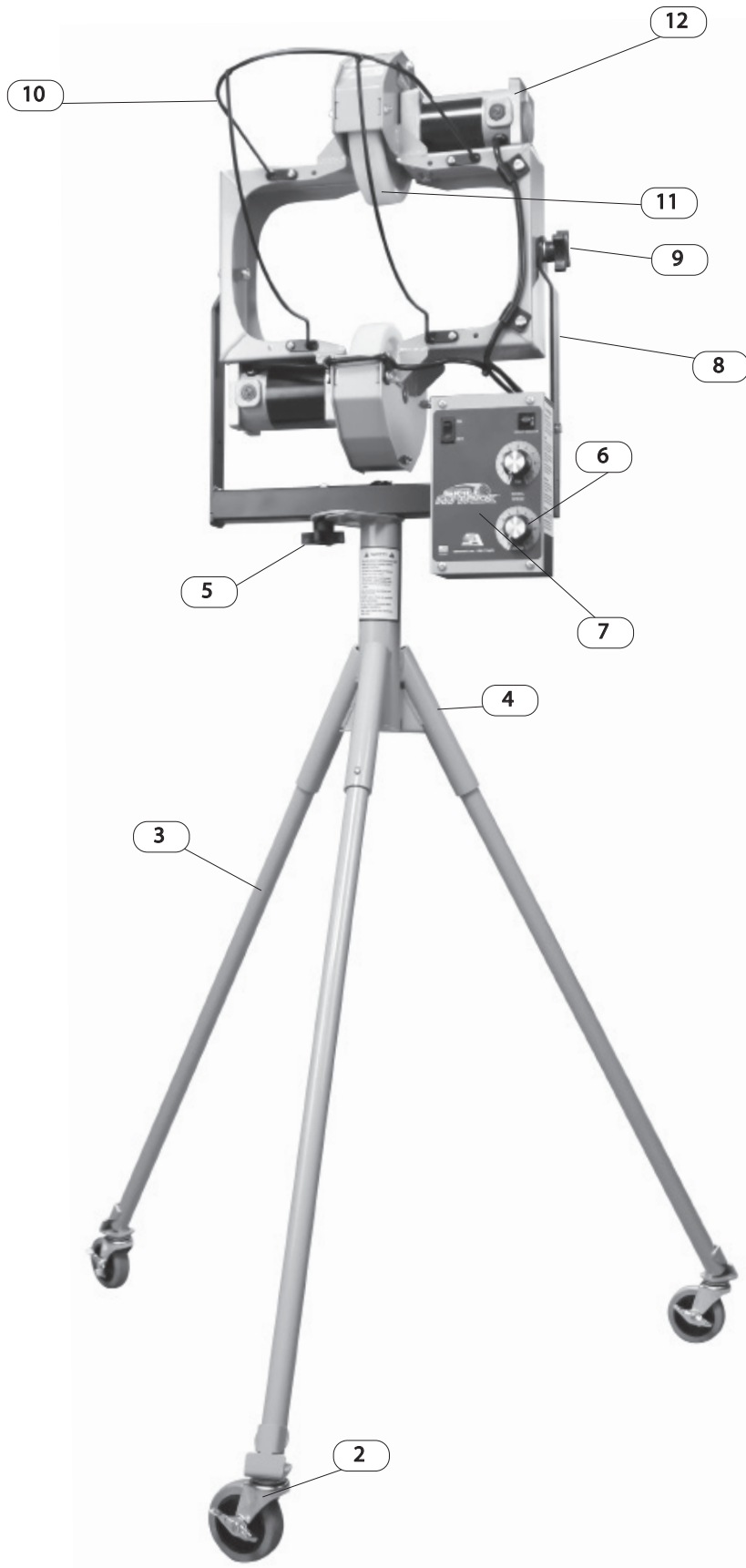
Black Wire (2)

2 PR jumper wire:

- 1 from on/off switch to circuit breaker

- 1 from on/off switch to circuit board terminal "L".

SKILL ATTACK™



**To order additional parts,
please call:**

Sports Attack Customer
Service Department
Ph 800.717.4251
Fx 775.345.2883

PARTS LIST KEY

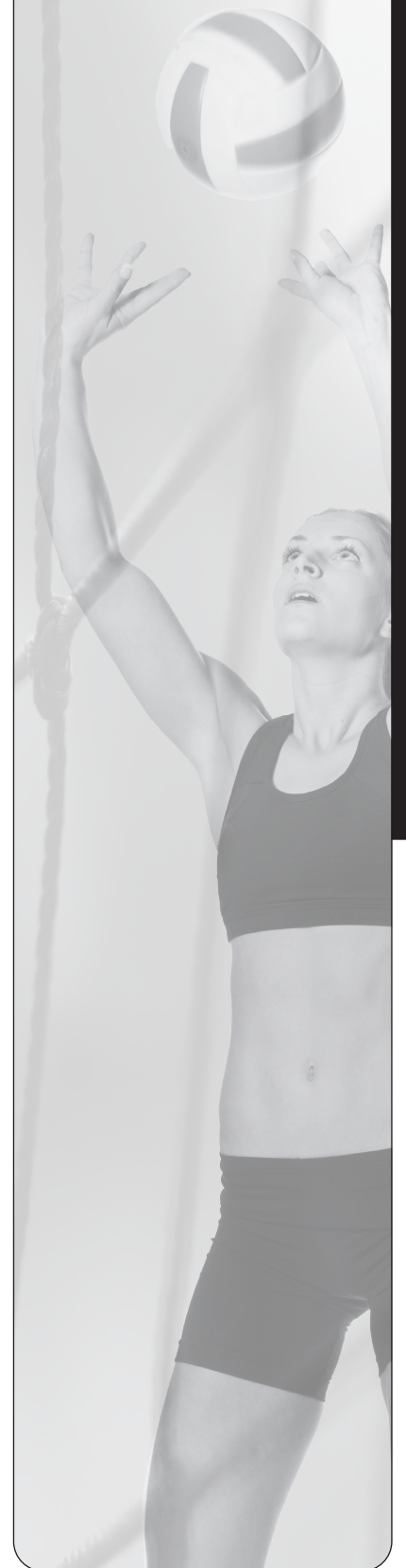
- 1 3113-9060-1
Wrench , Skill Caster
(Not Shown)
- 2 3313-4103-1
Locking Caster
- 3 3312-5079-1
Leg, Skill Attack
- 4 3312-5071-1
Undercarriage Tripod
- 5 3323-6048-1
Horizontal Control Knob
- 6 1213-6877-1
Controller Potentiometer
Knob
- 7 3362-6148-1
Controller Assembly
- 8 3312-5073-1
Yoke
- 9 3323-6046-1
Elevation Control Knob
- 10 3312-5085-1
Ball Feed Chute
- 11 3343-5080-1
Throwing Wheel
- 12 1332-9836-1
Wheel Motor

SKILL ATTACK PARTS LIST

| EM | PART NO. | DESCRIPTION | QTY PER |
|----|-------------|-------------------------------|---------|
| 1 | 3113-9060-1 | Wrench, Skill Caster | 1 |
| 2 | 3313-4103-1 | Locking Caster | 3 |
| 3 | 3312-5079-1 | Leg, Skill Attack | 3 |
| 4 | 3312-5071-1 | Undercarriage Tripod | 1 |
| 5 | 3323-6048-1 | Horizontal Control Knob | 1 |
| 6 | 1213-6877-1 | Controller Potentiometer Knob | 2 |
| 7 | 3362-6148-1 | Controller Assembly | 1 |
| 8 | 3312-5073-1 | Yoke | 1 |
| 9 | 3323-6046-1 | Elevation Control Knob | 1 |
| 10 | 3312-5085-1 | Ball Feed Chute | 1 |
| 11 | 3343-5080-1 | Throwing Wheel | 2 |
| 12 | 1332-9836-1 | Wheel Motor | 2 |

To order additional parts, please call:

Sports Attack Customer Service Department
Ph 800.717.4251
Fx 775.345.2883



Skill Attack Parts List