

# **BLAST ATTACK**

BASEBALL PITCHING MACHINE



BLAST ATTACK™ PITCHING MACHINE  
PATENTS APPLIED FOR

## **INSTRUCTION MANUAL**

Includes: OPERATION · SETUP · USE & CARE · SERVICE

REV 091916



## WARRANTY STATEMENT

What is most important to Sports Attack is that your machine meets your expectations of quality and performance. We stand behind the material and workmanship of our machines for five (5) years from the date of original purchase for institutional and residential use and one (1) year for commercial environments, with the following exceptions:

- Throwing Wheels are warranted for two (2) years;
- Electronic Controller is warranted for two (2) years; and,
- Throwing Wheel Motors are warranted for two (2) years.

This warranty excludes any cosmetic issues or normal wear and tear of the unit, and is not in effect if the machine has been misused, misapplied, improperly assembled, or modified without the express written permission of Sports Attack. In addition, this warranty does not apply to damage in transit, in any accident unrelated to the direct operation of the equipment, or by fire, flood or act of God.

If you encounter any issues during the warranty period, Sports Attack will quickly get your machine back in working order. If the warranty repair involves a replacement part, we will make sure you get both the part and easy instructions for replacement at no cost to you. If a service person is needed, Sports Attack will pay the pre-approved labor charge to get your machine back in working order.

Please know that any problem can quickly be resolved with a phone call to our experienced, responsive customer service department at 800.717.4251. We are here to answer your questions and to make sure your machine provides you years of service.

## RETURNS

Sports Attack manufactures the highest quality sports training equipment in the world. If for any reason you are not satisfied, a machine can be returned within 30 days of receipt for any reason for a full refund less a 15% restocking fee. Cost of shipping the unit back to Sports Attack will also be the responsibility of the purchaser. Please note that the refund amount may be reduced by any non-cosmetic damage to the machine.

*If you have any questions or concerns, please give our experienced, responsive customer service department a call at 800.717.4251.*

## SHIPPING DAMAGE CLAIMS PROCEDURE

NOTE: For your protection, please note that equipment in this shipment was carefully inspected and packaged by skilled personnel before leaving the factory.

Upon acceptance of this shipment, the transportation company assumes full responsibility for its safe delivery.

### IF SHIPMENT ARRIVES DAMAGED:

1. **VISIBLE LOSS OR DAMAGE:** Be certain that any visible loss or damage is noted on the freight bill or express receipt, and that the note of loss or damage is signed by the delivery person.
2. **FILE CLAIM FOR DAMAGE IMMEDIATELY:** Regardless of the extent of the damage.
3. **CONCEALED LOSS OR DAMAGE:** If damage is unnoticed until the merchandise is unpacked, notify the transportation company or carrier immediately, and file "CONCEALED DAMAGE" claim with them. This must be done within fifteen (15) days from the date the delivery was made to you. Be sure to retain the container for inspection.

Sports Attack LLC. cannot assume liability for damage or loss incurred in transit. We will, however, at your request, supply you with the necessary documents to support your claim.

To register the Warranty,  
please go to our website:  
[www.sportsattack.com/warranty](http://www.sportsattack.com/warranty)

For repairs and service after the  
Warranty period, please call:

Sports Attack  
Customer Service Dept.  
Ph 800-717-4251  
Fx 775-345-2883

## RETURNS

To return an item, please contact our Customer Service Department at 800-717-4251.

A 15% restocking fee will be charged for any items accepted for return. It is the customer's responsibility to handle the repacking and shipment (as well as all associated fees) back to Sports Attack.

No returns will be accepted after 30 days of receiving product.

# TABLE OF CONTENTS

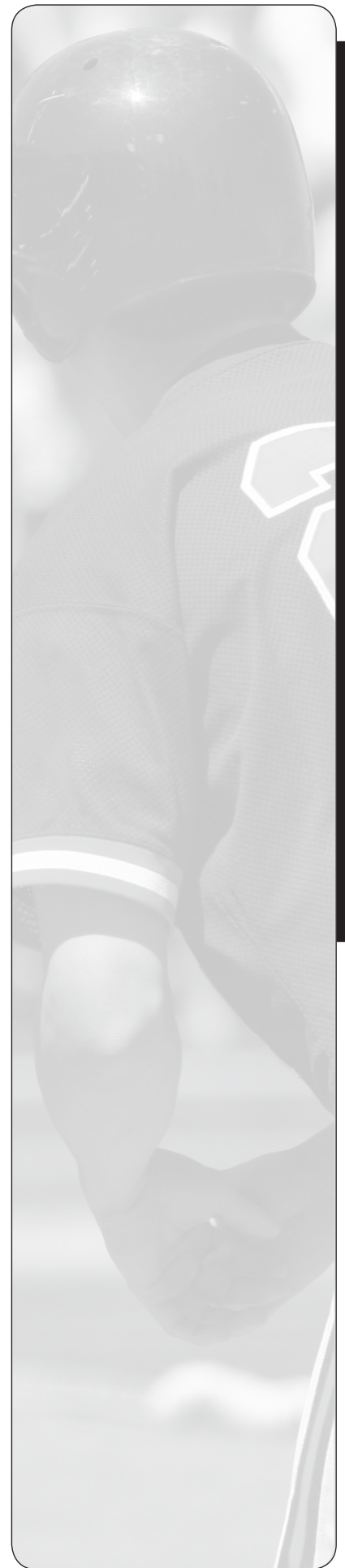
Warranty Statement . . . . .	xi
Safety Instructions . . . . .	2
<b>BLAST ATTACK BASEBALL MACHINE OPERATION</b>	
Features & Operating Controls . . . . .	4
Set-up & Preparation . . . . .	5
Batting Practice . . . . .	6
Fungo (Fielding Practice) . . . . .	8
Shutting Down . . . . .	9
<b>MAINTENANCE &amp; SERVICE</b>	
Care, Cleaning & Maintenance . . . . .	10
Component Replacement . . . . .	11
Component Replacement . . . . .	13
Exploded View . . . . .	14
Parts List . . . . .	15
Conversion, Baseball to Softball . . . . .	16
<b>SPORTS ATTACK</b>	
Product Line . . . . .	17

## INTRODUCTION

Thank You for purchasing this Sports Attack LLC. equipment.

Proper assembly, careful operation and consistent maintenance of this equipment will ensure that it gives you the very best performance and a long, economical service life.

This manual contains the information needed to properly setup Blast Attack, and to use, care for and maintain Blast Attack in a manner which will ensure its optimum performance.



# SAFETY INSTRUCTIONS

## ELECTRICAL SAFETY

Use a 115 volt single phase 3-wire grounded power source.

Up to 200 ft. from power source, use a minimum #14/3 grounded 3-wire extension cord.

Over 200 ft. from power source, consult a licensed electrician for required power cord size.

## OPERATING SAFETY

**CAUTION:** Never reach down near moving throwing wheel for any reason! If it is necessary to reach into the throwing wheels, **ALWAYS:**

1. Turn the speed dial to "0."
2. Turn on/off switch "OFF."
3. Unplug Blast Attack from power source
4. Wait until the throwing wheel has come to a complete stop before reaching hands or fingers anywhere near the throwing wheel.

**CAUTION:** Carefully check Blast Attack for completeness and condition before connecting to electrical power:

Throwing wheel must be tight on the motor shaft

Carefully check the throwing wheel frequently for cleanliness, chips and cracks. Do not use the machine if the throwing wheel is damaged, or if chips or cracks appear in the wheel. (For damage within warranty period, see warranty statement, page xi.)

**ALWAYS** set the speed control to "0" before connecting the machine to power. Check that the speed control is at zero before turning the on/off switch "ON."

Do not allow anyone to walk in front of the machine if it is connected to electrical power.

**CAUTION: DO NOT** plug in or energize this equipment until all Assembly Instructions and Operation Instructions are read and followed.

## WARNING PERSONAL INJURY HAZARD

Carefully read all instructions in this manual, and all labels and warnings on Blast Attack before using this machine.

Use machine only under adult supervision. Failure to operate Blast Attack as described in this manual can result in severe personal injury or death.

Never loosen the horizontal swivel lock while pitching to a batter. If the lock is not secure, the throwing head could pivot.

A loose swivel lock can allow a pitch to be inside which could hit the batter.

## ELECTRICAL SHOCK HAZARD

Blast Attack must be connected to a properly grounded electrical receptacle.

Do not operate on wet ground.

## CAUTION PERSONAL INJURY HAZARD

Keep hands away from throwing wheel anytime the machine is connected to a power source.

Carefully check Blast Attack for completeness and condition before connecting to electrical power.

## EQUIPMENT ELECTRICAL DAMAGE

Keep hands away from throwing wheel anytime the machine is connected to a power source.

Carefully check Blast Attack for completeness and condition before connecting to electrical power.

## SAFETY INSTRUCTIONS (cont'd)

### BALL SELECTION

Use regulation real leather balls or pitching machine balls can be used in our machines.

DO NOT use synthetic leather balls. These balls will wear rapidly and may cause undesirable ball material build-up on the wheel. Only use real leather balls.

Be careful not to mix new with old balls or balls from different manufacturers.

Balls must be consistent in type and amount of wear to produce repeatability.

Never use wet balls!

### BATTING PRACTICE

The horizontal swivel lock must be securely tightened before the batter approaches the plate.

**ALWAYS** test and adjust the Blast Attack before a batter steps up to the plate:

1. Adjust so that Blast Attack throws a ball across the plate.
2. Throw test pitches until required velocity and break are reached.
3. Throw several pitches to verify pitch location repeatability.

**DO NOT** make any speed or pitch location changes while the batter is at the plate.

Batter and pitching machine operator must wear batting helmets.

Only one person at a time should operate the machine.

Always present the ball to the batter before feeding the ball into the machine.

Operator must stand behind a protective screen to prevent injury from balls off the bat. Screen is not included with Blast Attack.

### FIELDING PRACTICE

Both the elevation control and swivel lock must be released so that the throwing head moves freely through the intended range of motion.

Never reach up chute to push ball into the throwing wheels.

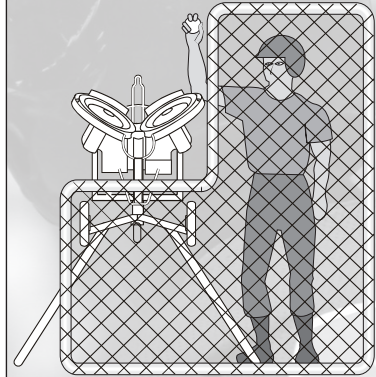
Keep hands and fingers well away from the throwing wheels.

Be careful to keep all persons away from in front of Blast Attack.

**NOTE:** Vertical (Elevation Control) must be adjusted whenever you change pitches.

### PERSONAL INJURY HAZARD

Always use a protective screen to protect the operator from the ball off the bat. (Screen not included with Blast Attack.)



Always wait for throwing wheel to come to a complete stop before transporting Blast Attack, lifting the throwing head or performing any repairs.

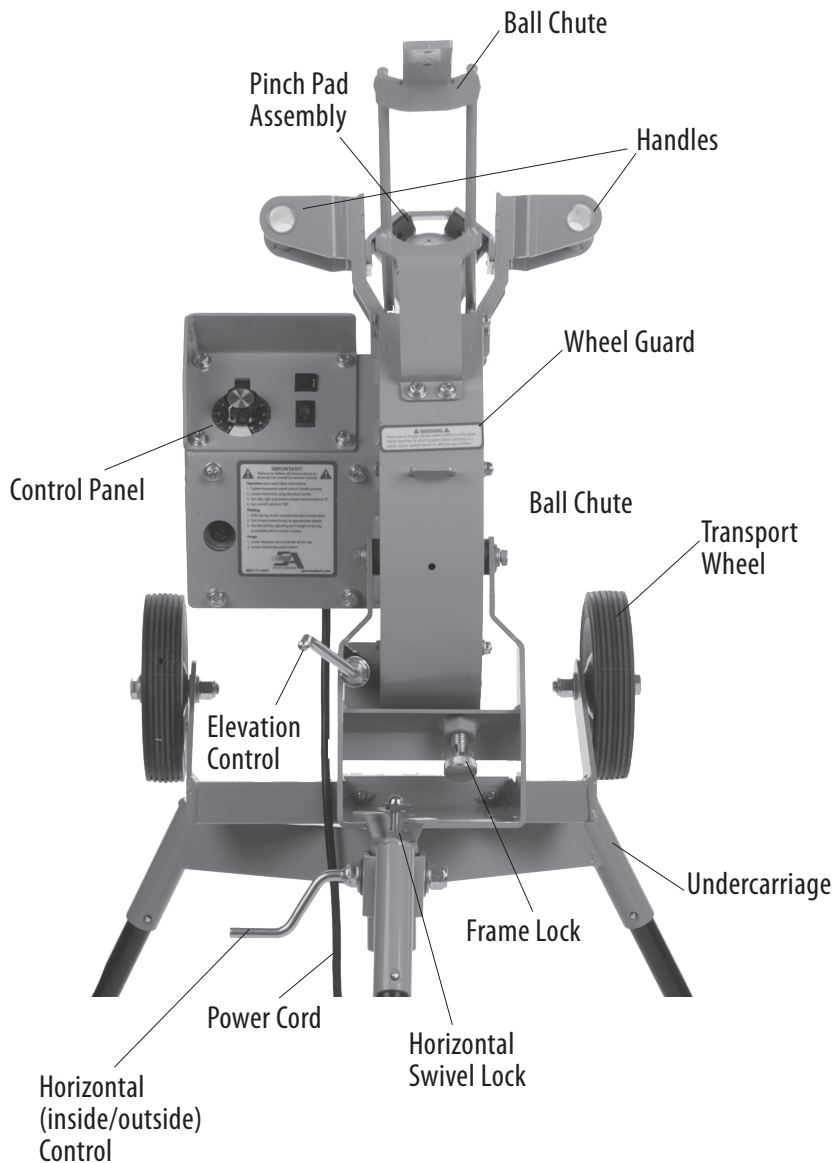
### ADDITIONAL INFORMATION

If you have any questions regarding the safe operation of this equipment, please call:

Sports Attack Customer  
Service Department  
Ph 800-717-4251  
Fx 775-345-2883

# FEATURES & OPERATING CONTROLS

## BLAST ATTACK BASEBALL PITCHING MACHINE



### WARNING PERSONAL INJURY HAZARD

Carefully read all instructions in this manual, and all labels and warnings on Blast Attack before using this machine.

Use machine only under adult supervision. Failure to operate Blast Attack as described in this manual can result in severe personal injury or death.

Never loosen the horizontal swivel lock while pitching to a batter. If the lock is not secure, the throwing head could pivot.

A loose swivel lock can allow a pitch to be inside which could hit the batter.

### CAUTION PERSONAL INJURY HAZARD

Keep hands away from throwing wheel anytime the machine is connected to a power source.

Carefully check Blast Attack for completeness and condition before connecting to electrical power.

### EQUIPMENT ELECTRICAL DAMAGE

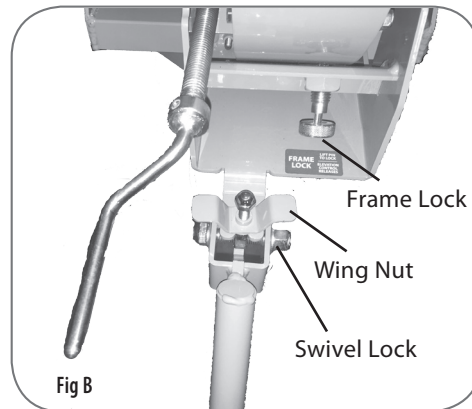
Keep hands away from throwing wheel anytime the machine is connected to a power source.

Carefully check Blast Attack for completeness and condition before connecting to electrical power.

## SET-UP & PREPARATION

Blast attack components: throwing head, undercarriage, and set of 3 legs.

1. Carefully remove all pieces from packaging.
2. Put throwing head in position as shown in Fig. A.
3. Install the undercarriage onto the throwing head. Align the wing nut and bolt into the slot on head assembly and tighten the wing nut Fig. B.
4. Install all 3 legs (Note: the leg has a push button, which locks the leg into the socket).
5. Using the throwing head handles stand machine up on its legs..
6. Turn the elevation handle counterclockwise 2 full rotations
7. Release the frame lock by pulling out and turning it 90 degrees, the frame lock will release Fig. B.
8. Machine is ready to use



### WARNING HAZARD FROM HIGH-SPEED PROJECTILES

Being struck by a pitched ball can cause serious injury or death. Make sure that no one steps in front of Blast Attack while it is connected to electric power.

Clear all hitters away from home plate, the batter's box and the backstop area before connecting Blast Attack to electric power.

### GENERATOR INFORMATION

1. Blast Attack requires a generator capable of providing clean electricity 1000 watts at 120 volts 60hz.
2. Be sure the on/off switch is "OFF" before plugging Blast Attack into the generator.
3. Start the generator and allow it to reach full speed before turning the on/off switch "ON."

**IMPORTANT:** Generator speed fluctuations can damage the electronic speed control. Maintain adequate fuel in the generator at all times.

4. Turn the on/off switch "OFF" before shutting off the generator and before unplugging Blast Attack.

# BATTING PRACTICE

## THE WINDUP (getting ready to pitch)

1. Before turning the on/off switch "ON," make sure speed control dial are set at "0." Now turn on on/off switch.
2. Set the speed control dials to 6\*:
  - \* This is the average setting for a youth league fastball.
3. Check again to make sure no one is in front of Blast Attack or anywhere near the batter's box. Then, feed a ball down the ball chute to pitch the first ball.
4. Note where the pitch goes in relation to home plate. Adjust the pitch to the left or right by shifting the rear leg:
  - a. To move the pitch left, move the rear leg to the right.
  - b. To move the pitch right, move the rear leg to the left.
5. Adjust the elevation:
  - a. Turn the elevation control clockwise to raise the pitch.
  - b. Turn the elevation control counter-clockwise to lower the pitch.
6. Adjust the speed control dial to produce the required speed. Larger numbers equal higher speed.
7. Pitch a second ball.
8. Repeat steps 4, 5 and 6 until the proper path, elevation and speed are achieved.
9. Refer to "Pitch select chart".
10. Pitch another test ball to ensure the selected pitch repeats.
11. After you are sure desired pitch is repeating, allow the hitter to step into the batter's box.
12. See Figures 3 at left.
  - a. Before each pitch present the ball to the hitter.
  - b. Drop the ball into the ball chute.

## AND... THE PITCH

When feeding:

1. Be sure hitter is ready.
2. Allow at least 8 second between pitches.
3. Present the ball to hitter by raising it approximately to eye level (See Figure 3), then place ball at the top of the ball chute, seating it firmly against the ball chute. The ball should be held back against the chute to ensure a smooth consistent feed (See Figure 4).
4. Release the ball to roll down the ball chute and into the throwing wheel.

### WARNING HAZARD FROM HIGH-SPEED PROJECTILES

Being struck by a pitched ball can cause serious injury or death. Make sure that no one steps in front of Blast Attack while it is connected to electric power.

Clear all hitters away from home plate, the batter's box and the backstop area before connecting Blast Attack to electric power.

**NOTE:** As wheel speed is changed for different velocities, the ball will be pitched to differing elevations. Compensate for these changes by turning the elevation control.

Present the ball to the hitter



Fig 3

**IMPORTANT:** Hitter should stride the instant he sees the ball release from the feeder's hand at the upper end of the ball chute.



## BATTING PRACTICE (cont'd)

### SELECTING THE PITCH

**NOTE:** Vertical (Elevation) must be adjusted whenever you change speed.

**ALWAYS** have the batter step away from the batter box before adjusting speed.

### BALL SELECTION

Choosing the correct balls is an important step in using a pitching machine.

Balls must be consistent in size, weight, type and amount of wear to produce repeatability.

#### Recommended ball types for Sports Attack pitching machines:

- Regulation "real" leather balls
- Pitching Machine Balls. These are balls designed to be used with pitching machines. There are several types. Two of the best are Leather "Kevlar reinforced" seamed balls And dimpled balls.
- DO NOT USE SYNTHETIC LEATHER BALLS . These balls will wear rapidly and may cause undesirable ball material build-up on the wheel.
- Never mix new balls with older balls or different brands or types of balls. Mixing Balls will cause inaccurate pitches.
- Never use wet balls. Towel dry damp balls before they are feed into machine.

### WARNING PERSONAL INJURY HAZARD

Never reach down near throwing wheel for any reason! Always turn speed control dial "OFF", turn the on/off switch "OFF";

unplug Blast Attack from the power source and wait until the throwing wheel has come to a complete stop before reaching hands or fingers anywhere near throwing wheel.

Never loosen the horizontal swivel lock while pitching to a batter.

If the lock is not secure, the throwing head is free to pivot. A loose swivel lock can allow a pitch to be inside which could hit the batter.

# BASEBALL FUNGO (FIELDING PRACTICE)

## THROWING GROUNDERS, FLY BALLS, LINE DRIVES AND POP-UPS

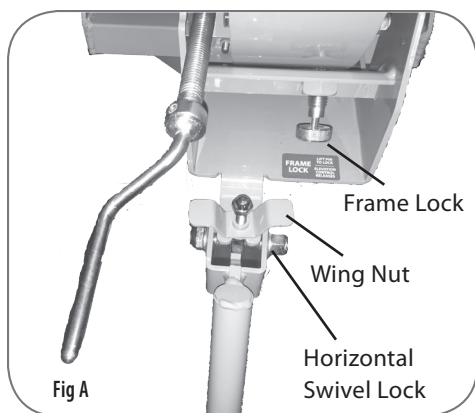
1. Roll Blast Attack to home plate and face toward center field. Install legs, tilt it into position and connect to electric power (See Baseball Set-up & Preparation on Page 5).
2. Turn the elevation control counter-clockwise to release the frame lock (See page 5, Photo C).
3. Loosen the horizontal swivel lock until the throwing head pivots freely (See Fig A).

Store horizontal swivel lock in storage nut (See Photo D).

By using the handle on the end of the ball chute, you can easily pivot Junior Hack Attack to aim at any point on the field.

For pop-ups, push the handle down. Using the opposite hand, situate ball on ball chute so that the ball rolls down the chute and through the throwing wheels.

4. When defensive work is completed, position the "through hole" directly over the undercarriage nut. Screw in the horizontal swivel lock through the "through hole" and into the undercarriage nut and tighten securely.
5. Secure the throwing head with the frame lock. Allow throwing wheel to come to a complete stop before transporting Blast Attack.



### WARNING HAZARD FROM HIGH-SPEED PROJECTILES

Being struck by a pitched ball can cause serious injury or death. Make sure that no one steps in front of Blast Attack while it is connected to electric power.

Clear all hitters away from home plate, the batter's box and the backstop area before connecting Blast Attack to electric power.

### CAUTION PERSONAL INJURY HAZARD

Never reach up chute to push ball into the throwing wheel. Be sure to keep hands and fingers well away from the throwing wheel.

Be careful to keep all persons away from front of Blast Attack any time it is connected to electrical power.

## SHUTTING DOWN

### TURNING BLAST ATTACK "OFF"

1. Set speed control dial to "0."
2. Turn the on/off switch "OFF."
3. Unplug Blast Attack from the power source.

### PUTTING BLAST ATTACK AWAY

1. Lock the frame:
  - a. Pull the frame lock and turn 90 degrees.
  - b. Turn the elevation adjustment counterclockwise until the frame lock engages. Now turn elevation adjustment clockwise until the throwing head is held tightly against the frame lock pin. Tighten just enough to secure the throwing head. It is not necessary to over tighten.
3. Using the rear leg as a handle, tip Blast Attack up and over onto the wheel guard.
4. Remove (unsocket) both front legs.
5. Again, using the handles on the throwing head, tip Blast Attack back until machine can be comfortably rolled on the travel wheels. Blast Attack can now be rolled and maneuvered off of the field.
6. To transport Blast Attack in a car, remove the throwing head:
  - a. Be sure the frame lock is engaged and the throwing head is tightly secured to the yoke.
  - b. Completely loosen the horizontal swivel control. Swing frame lock out of the way.
  - c. Lift the throwing head straight up and clear of the undercarriage.

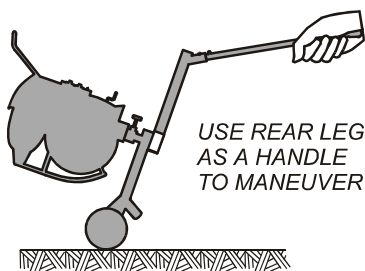


Figure 7 Maneuvering

### WARNING HAZARD FROM HIGH-SPEED PROJECTILES

Being struck by a pitched ball can cause serious injury or death. Make sure that no one steps in front of Blast Attack while it is connected to electric power.

Clear all hitters away from home plate, the batter's box and the backstop area before connecting Blast Attack to electric power.

### CAUTION PERSONAL INJURY HAZARD

Never reach up chute to push ball into the throwing wheel. Be sure to keep hands and fingers well away from the throwing wheels.

Be careful to keep all persons away from front of Blast Attack any time it is connected to electrical power.

# CARE, CLEANING & MAINTENANCE

## LUBRICATION (once per season, or as required):

1. Elevation Control  
Wipe threads with small amount of grease.
2. Horizontal Swivel Lock  
Wipe the threads with a very small amount of fresh grease.

## THROWING WHEEL MOTOR

The motor is sealed and requires no lubrication.

Check bolts for tightness once a season. Tighten bolts securely, but do not over-tighten.

## CLEANING THE THROWING WHEEL

The throwing wheel must be kept clean to maintain accuracy. Clean wheel periodically to control the build-up of grass and dirt.

1. Turn the on/off switch "OFF" and allow the wheel to come to a complete stop. Unplug Blast Attack from electric power.

Dampen a rag with soap and water. Turn the throwing wheel by hand and scrub the wheel until the build-up is removed. For very heavy build-up, a synthetic scouring pad, such as a Scotch-Brite® scouring pad, or medium sandpaper may be used sparingly. Methyl Ethyl Ketone (M.E.K.) may be required to help loosen the build-up of dirt or ball residue.

## EXAMINE THE MACHINE

Examine Blast Attack for condition and completeness before every use:

1. For batting practice, be sure the horizontal swivel lock is secured.
2. Throwing wheel must be tight on the motor shaft.
3. Ball chute must be securely fastened to the throwing head.

### CAUTION

#### PERSONAL INJURY HAZARD

Never attempt to clean the throwing wheel while they are turning. Rags or implements caught in spinning wheel can cause serious injury.

Unplug the machine before cleaning the wheels or performing any service.

#### CHEMICAL HAZARD

**Methyl Ethyl Ketone (M.E.K)**  
Read and follow the directions and safety instructions on the M.E.K container.

#### FIRE HAZARD

**Methyl Ethyl Ketone (M.E.K)**  
M.E.K. is flammable. Do not use M.E.K. around a fire or flame. Do not use M.E.K. near a running generator or other source of ignition.

# SPORTS ATTACK PRODUCTS

## SOCCER



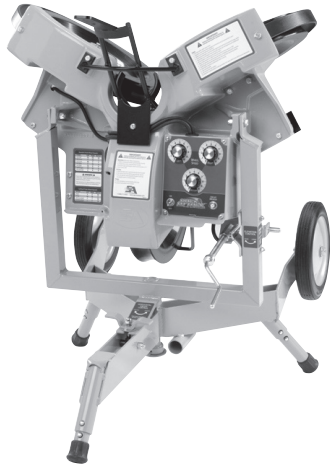
STRIKE ATTACK

## CRICKET



CRICK ATTACK

## SOFTBALL



HACK ATTACK SOFTBALL



JUNIOR HACK ATTACK SOFTBALL (shown with optional feeder)



Please visit our web site [sportsattack.com](http://sportsattack.com) for information about Sports Attack sports training products, or call 800-717-4251 for complete information and specifications.

BLAST ATTACK™ BASEBALL PITCHING MACHINE  
SPORTS ATTACK, LLC. • 800-717-4251 • [sportsattack.com](http://sportsattack.com)

# SPORTS ATTACK PRODUCTS

## TENNIS



ACE ATTACK

## FOOTBALL



SNAP ATTACK



## VOLLEYBALL



ATTACK (shown with optional ball bags)



ATTACK II (shown with optional ball bags)



SKILL ATTACK



Please visit our web site [sportsattack.com](http://sportsattack.com) for information about Sports Attack sports training products, or call 800-717-4251 for complete information and specifications.

BLAST ATTACK™ BASEBALL PITCHING MACHINE  
SPORTS ATTACK, LLC. • 800-717-4251 • [sportsattack.com](http://sportsattack.com)